



Kit1 300B

2014 Edition

Single Ended Triode 8 Watt

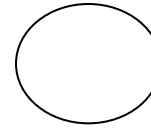
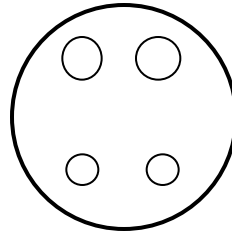
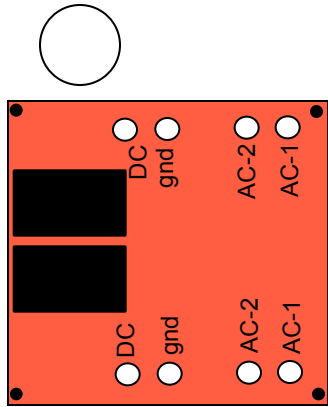
Interwiring Diagrams: Volume One

ANKITS

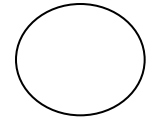
ANK

the authority in high end audio kits

IEC Section



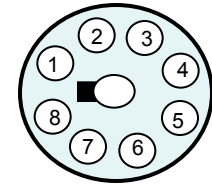
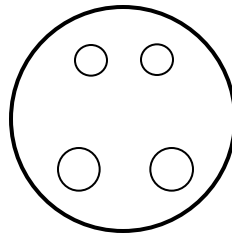
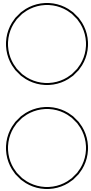
Mains Secondary



Mains Primary

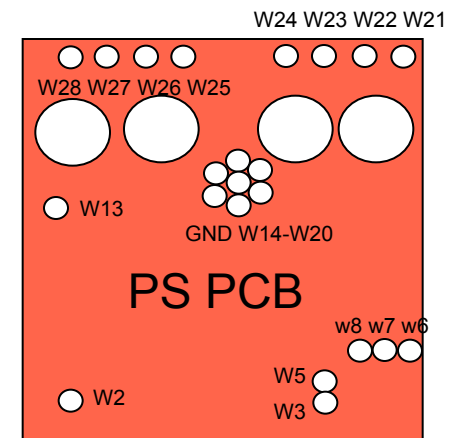
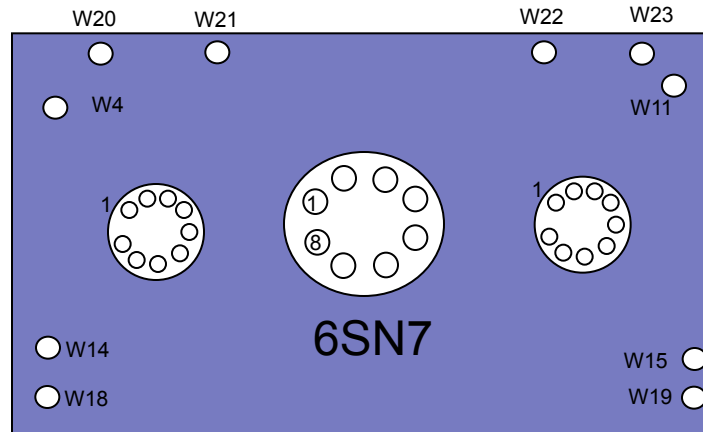


Chassis GND



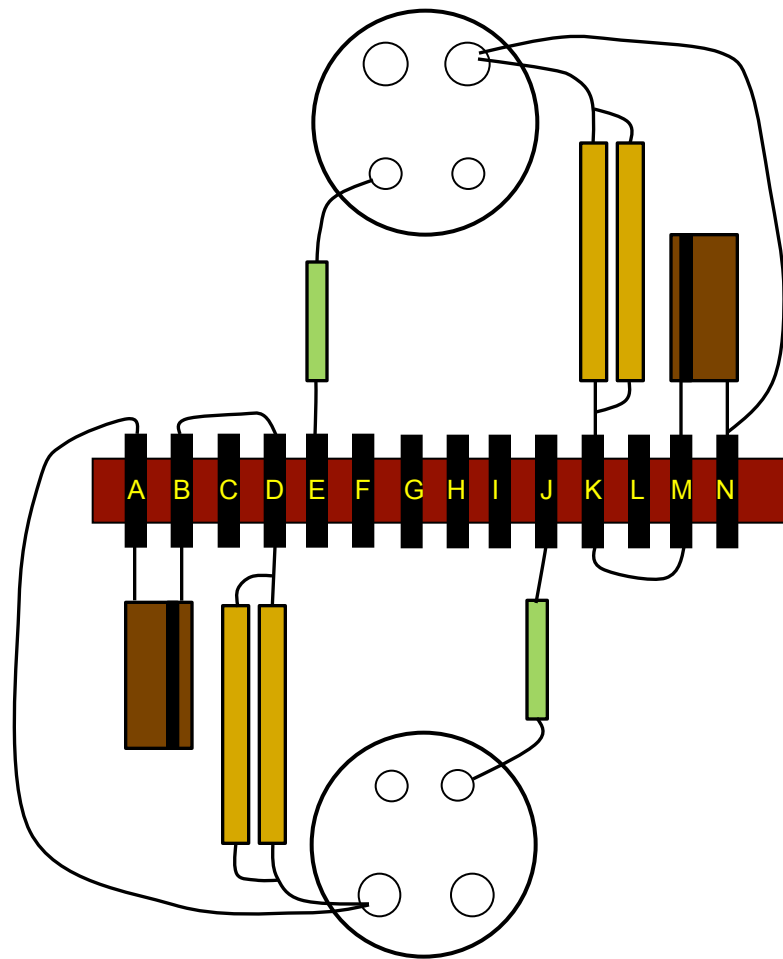
5U4G

Overview of Kit1 layout



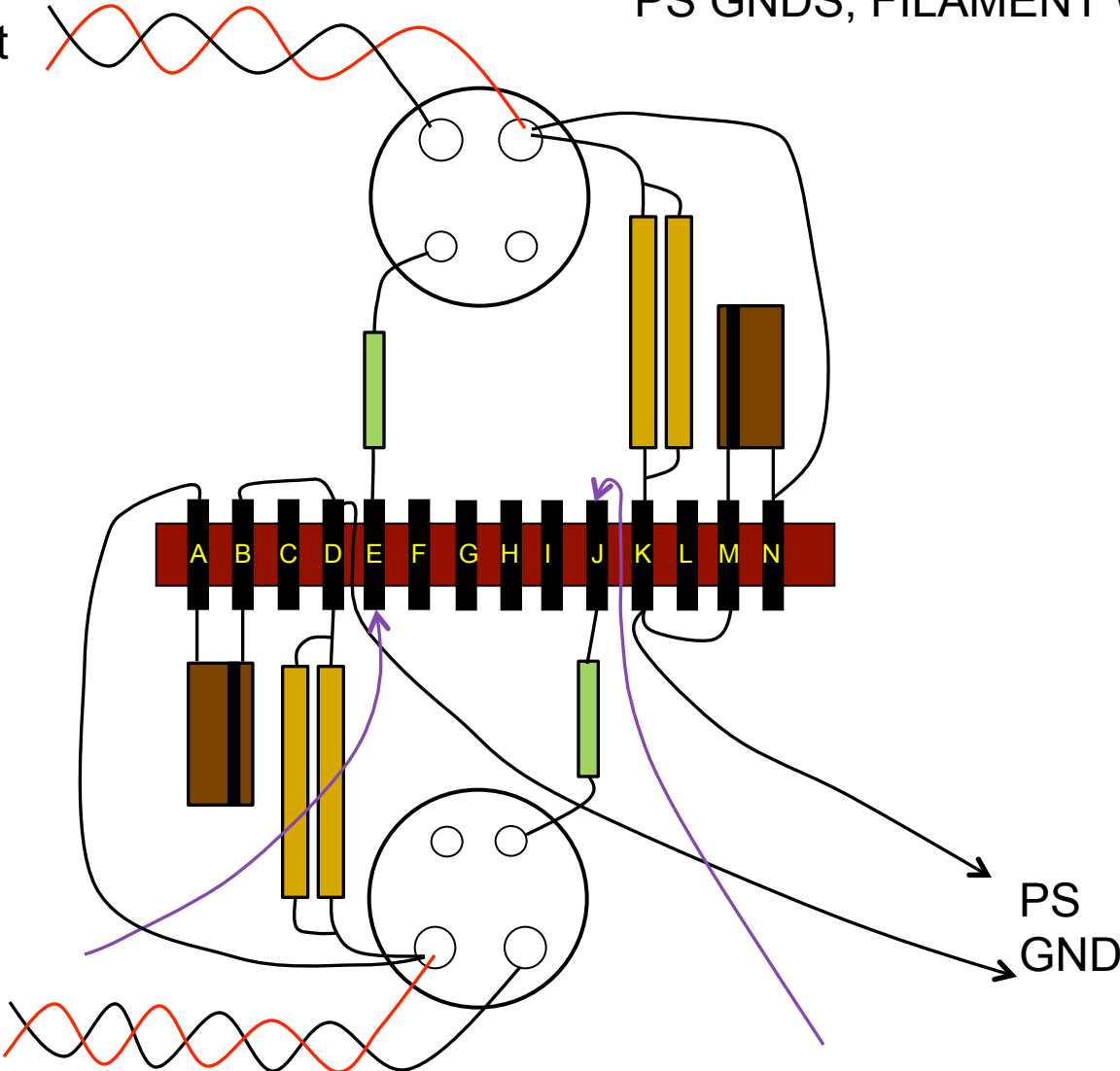
Kit1 300B Single Ended T-199 Mains Transformer

300B Hardwiring Section
1K8 Resistors, 220uf CAPS , 1K
Grid resistors



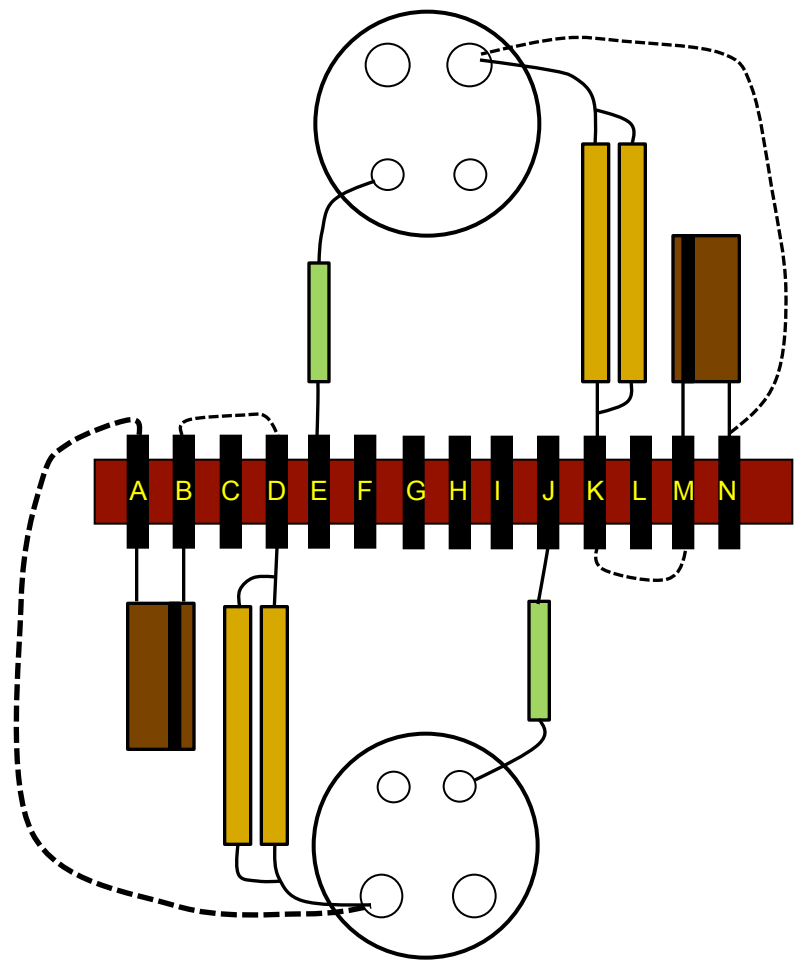
300B Hardwiring Section
PS GNDS, FILAMENT WIRES

From
Filament
Board

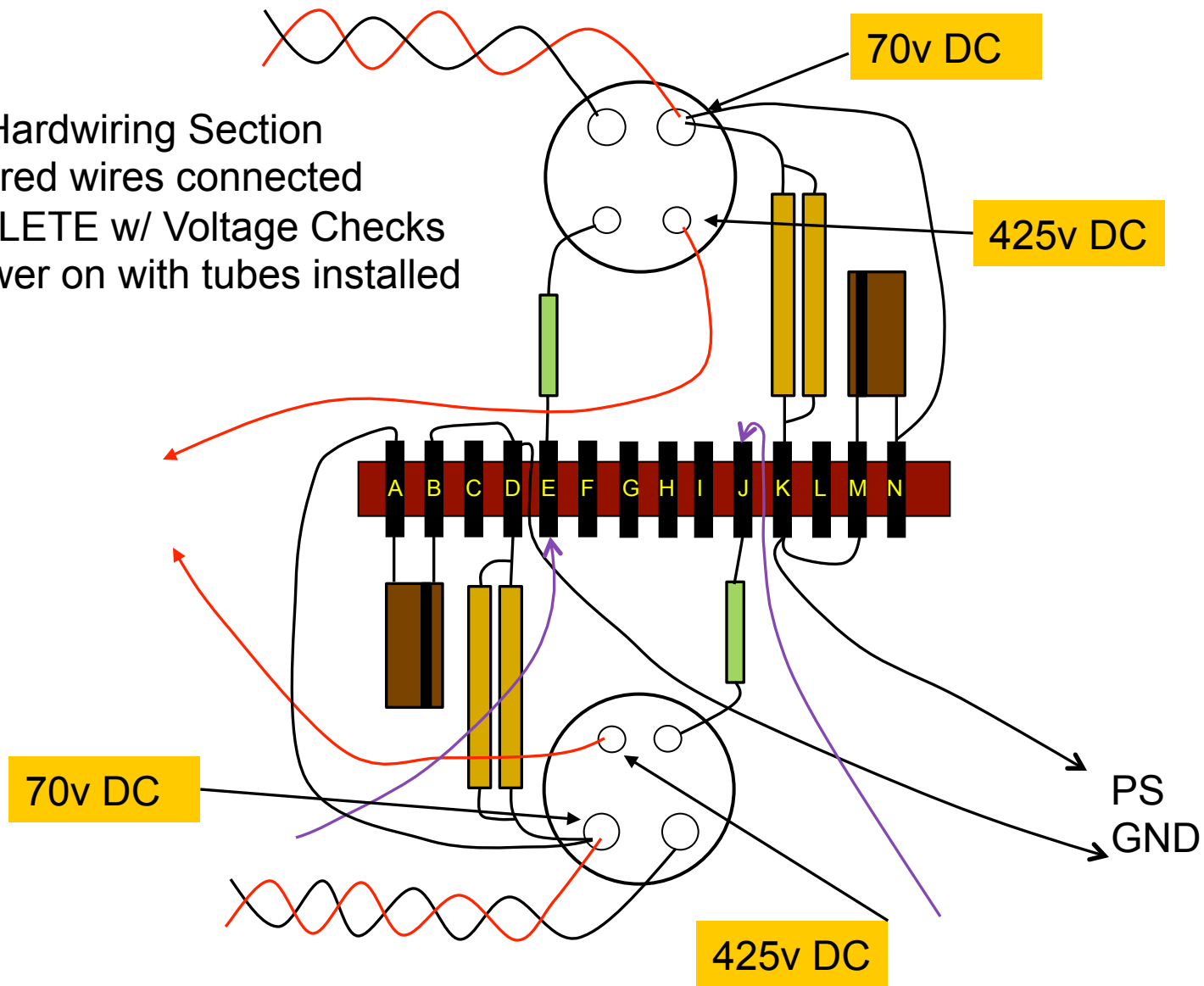


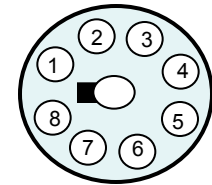
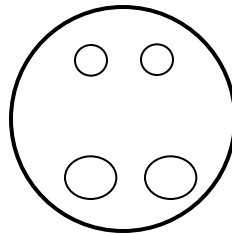
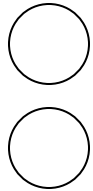
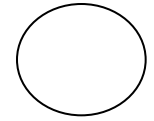
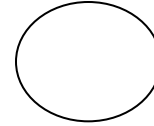
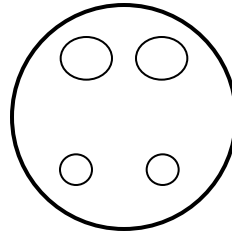
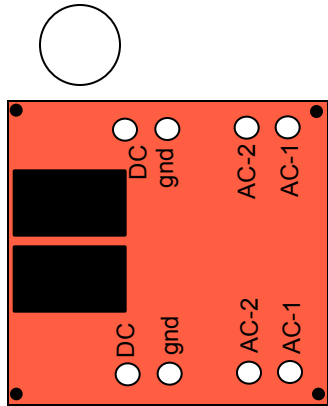
From
Filament
Board

PS
GND



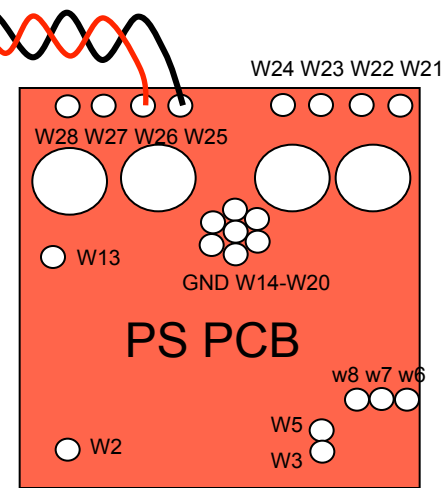
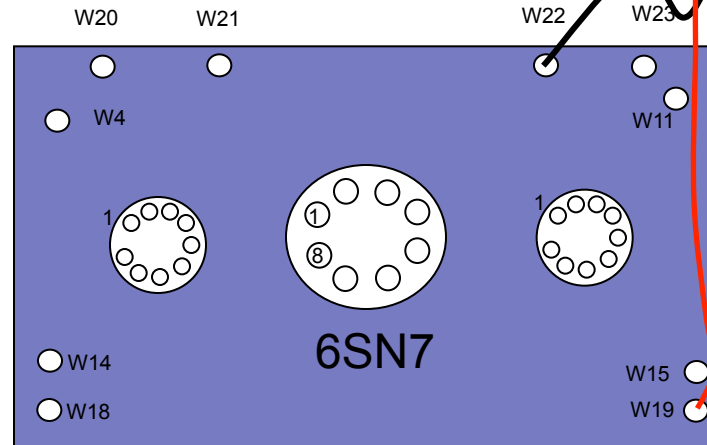
300B Hardwiring Section
O/P tx red wires connected
COMPLETE w/ Voltage Checks
for Power on with tubes installed



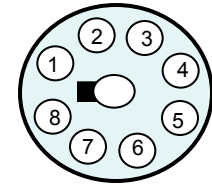
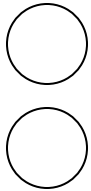
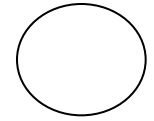
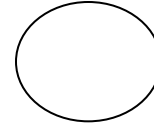
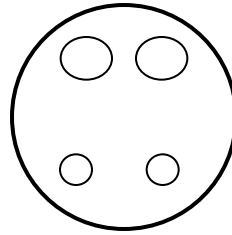
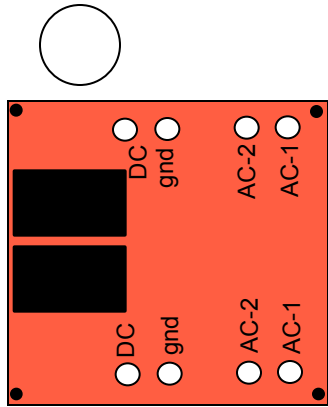


5U4G

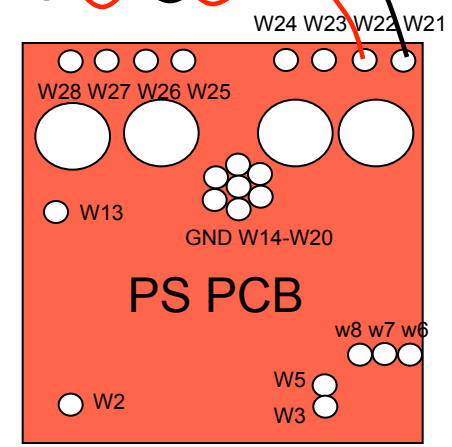
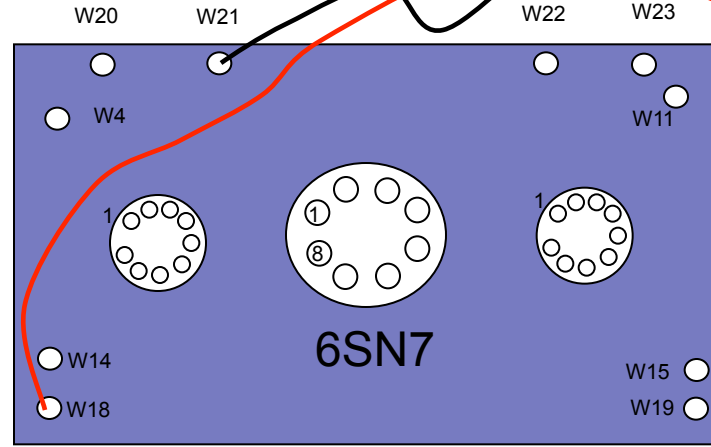
Power Supply >> Driver Board Wiring – This is the HT voltage for the driver tubes



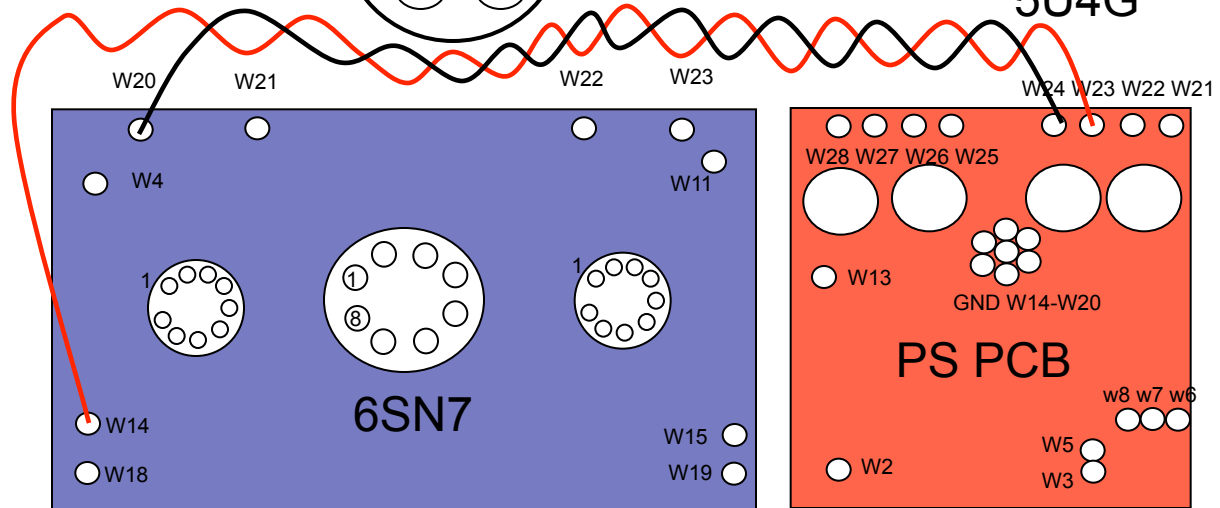
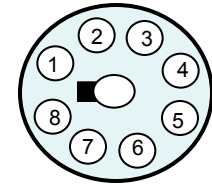
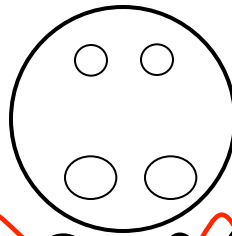
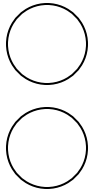
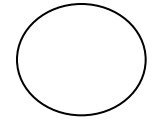
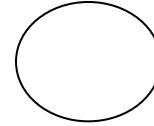
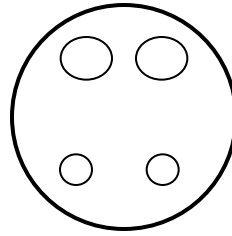
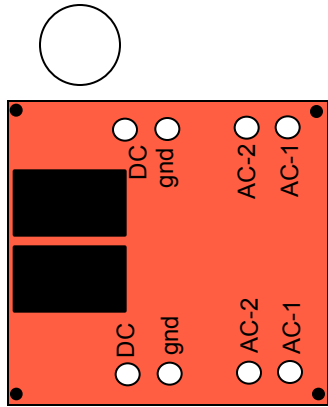
Kit1 300B Single Ended T-199 Mains Transformer



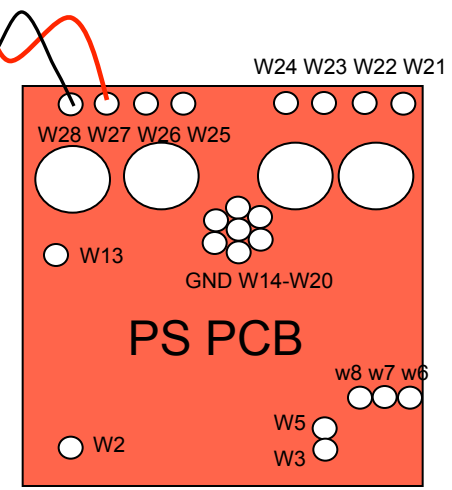
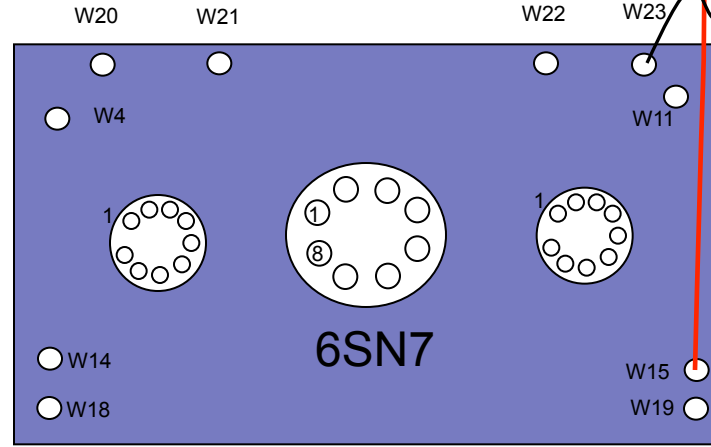
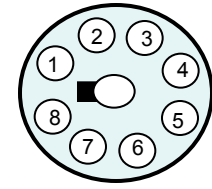
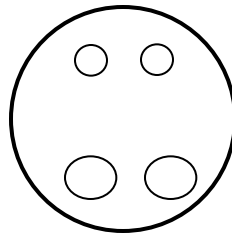
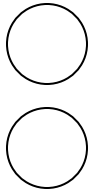
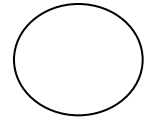
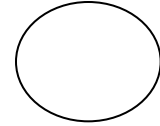
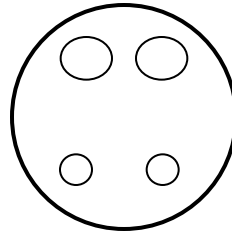
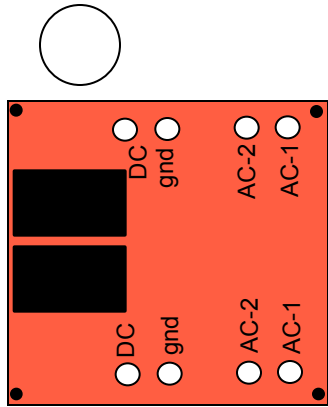
5U4G



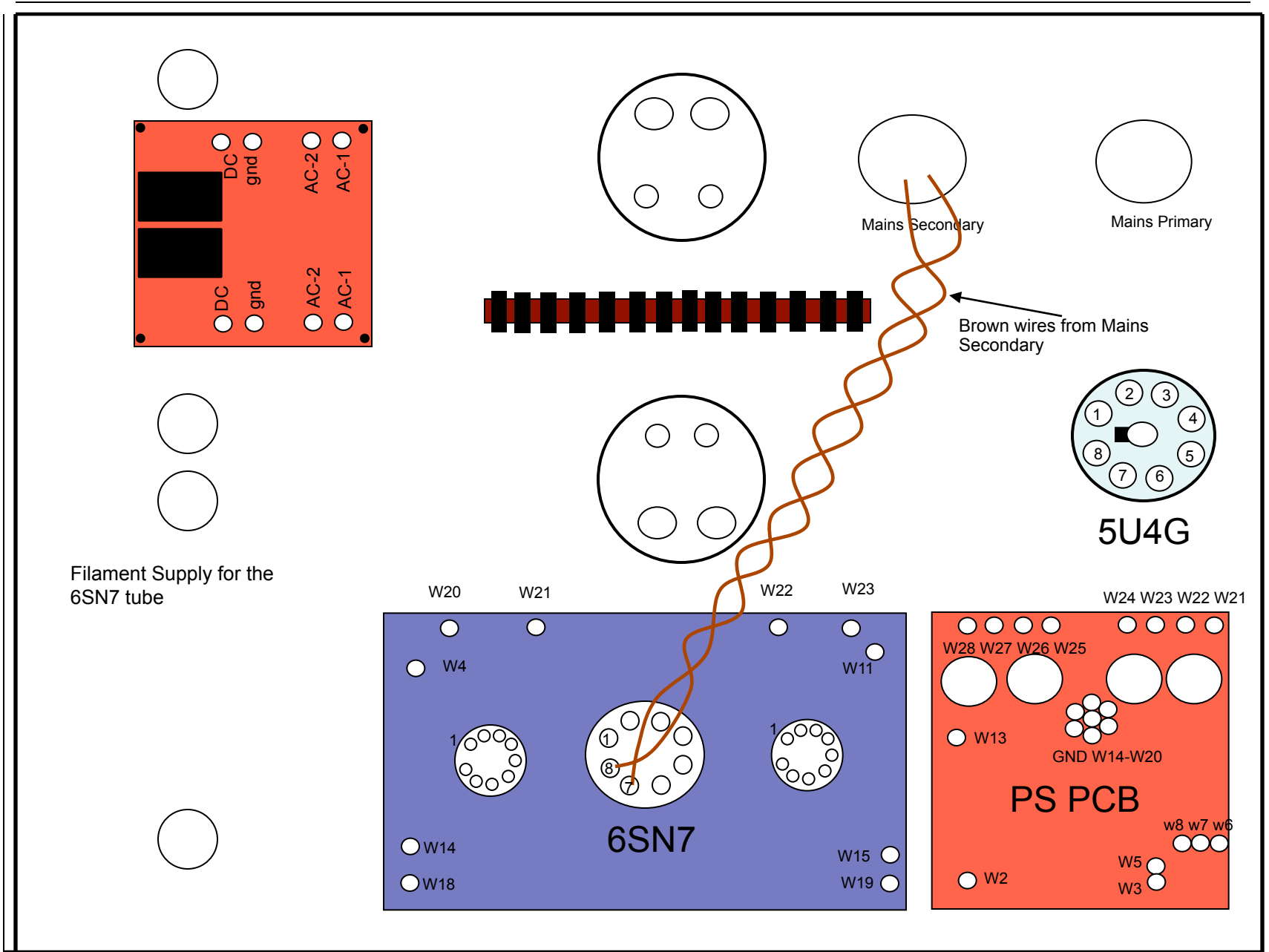
Kit1 300B Single Ended T-199 Mains Transformer



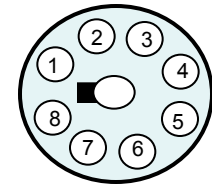
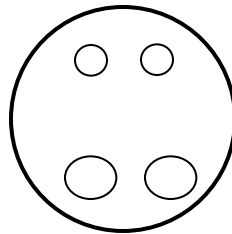
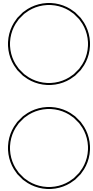
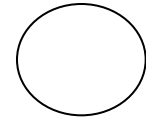
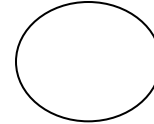
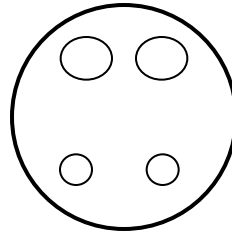
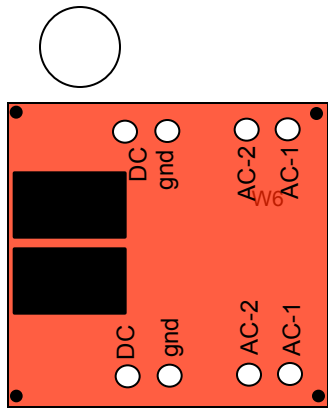
Kit1 300B Single Ended T-199 Mains Transformer



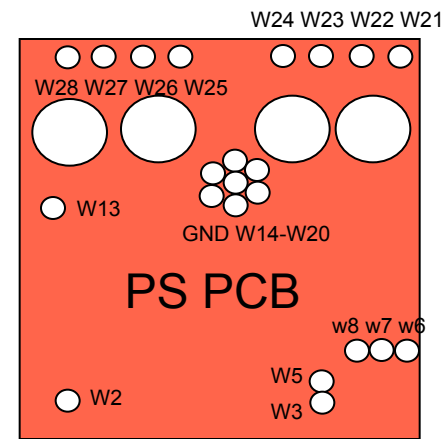
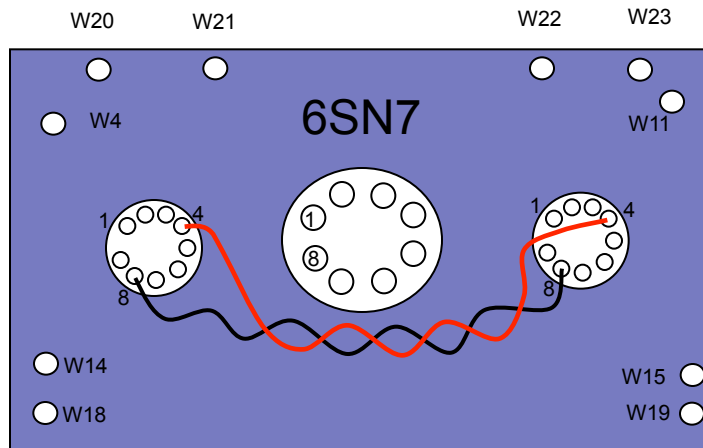
Kit1 300B Single Ended T-199 Mains Transformer



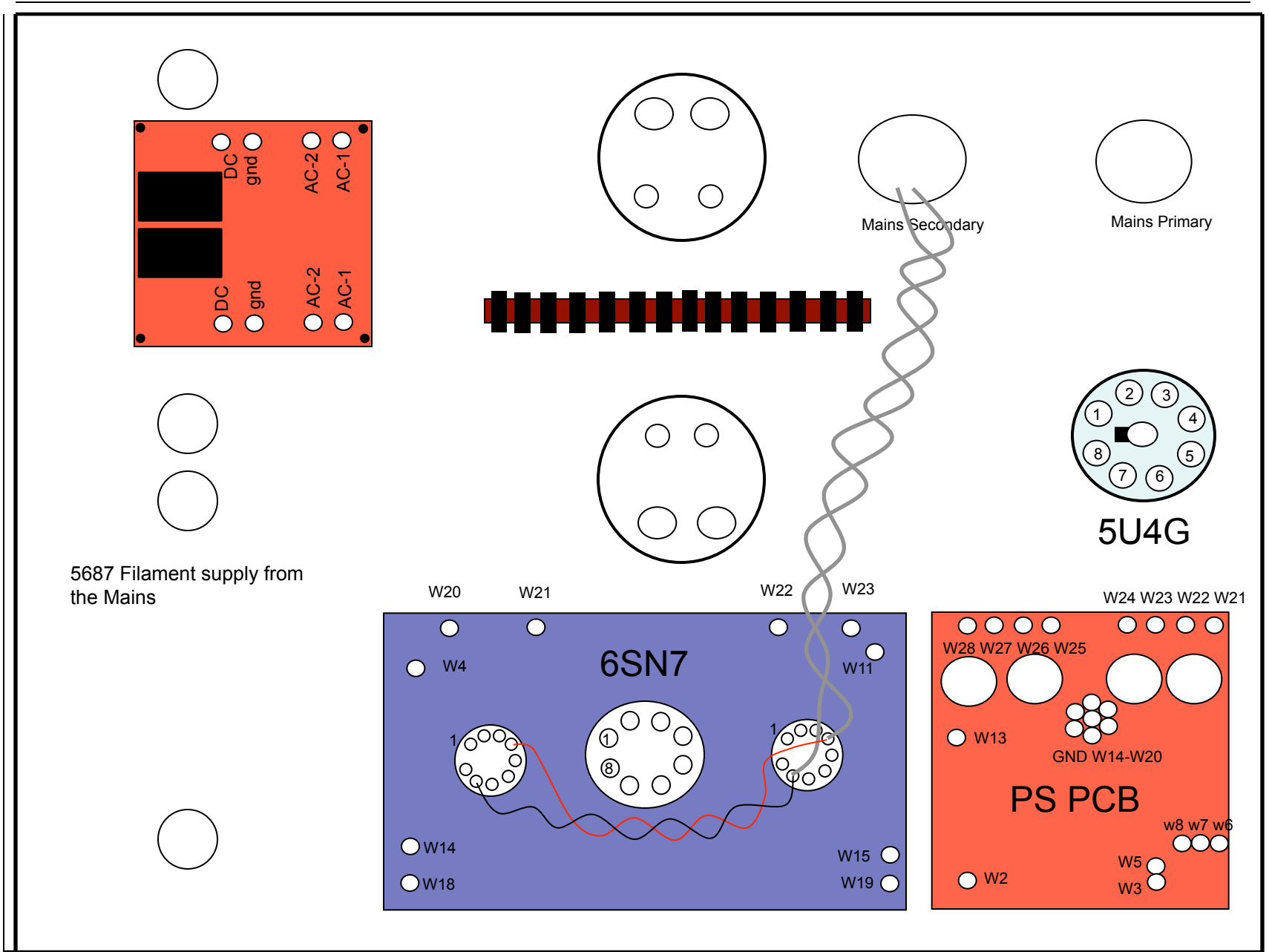
Kit1 300B Single Ended T-199 Mains Transformer



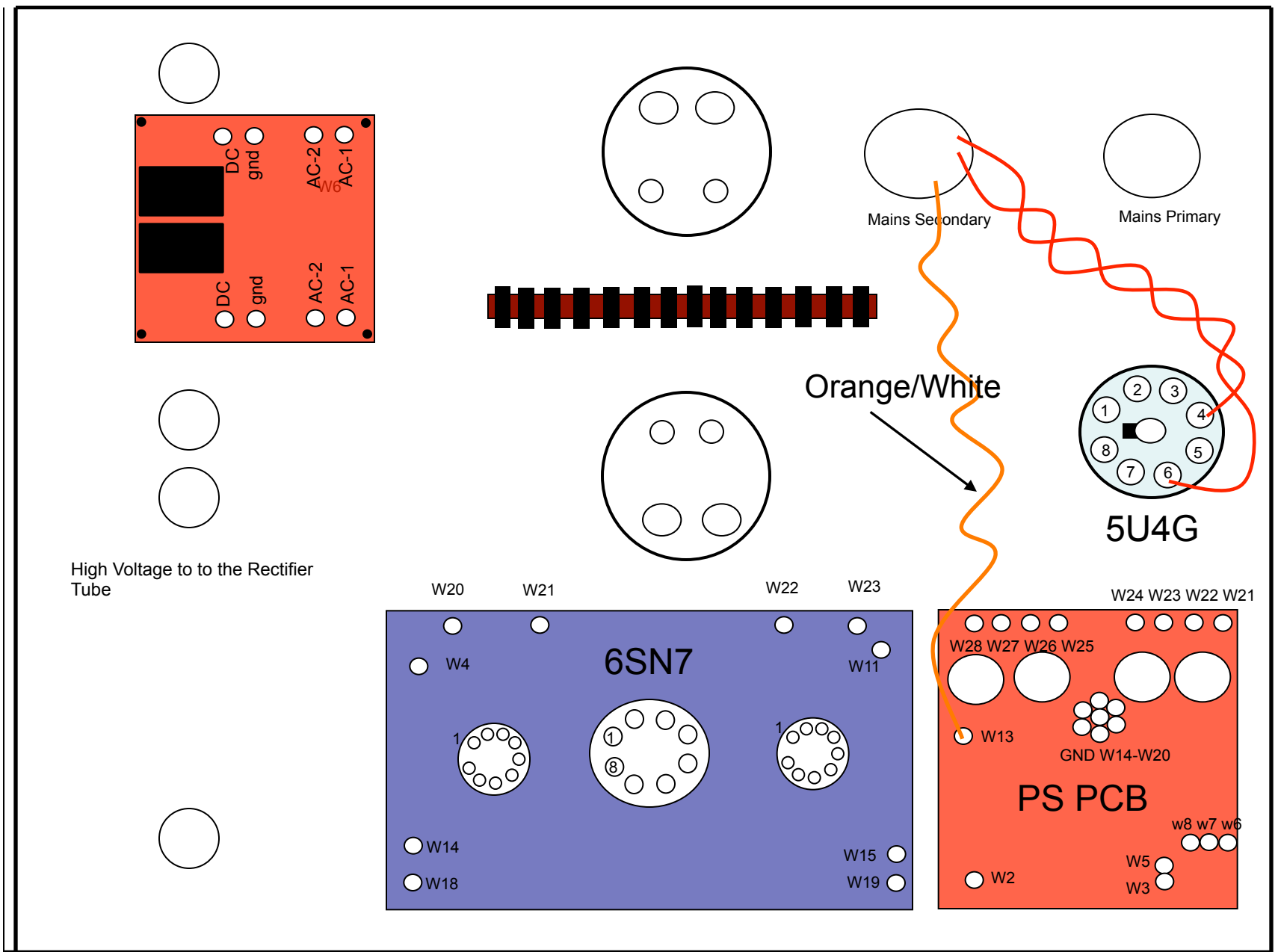
Connect the filaments
between the two 5687 tubes



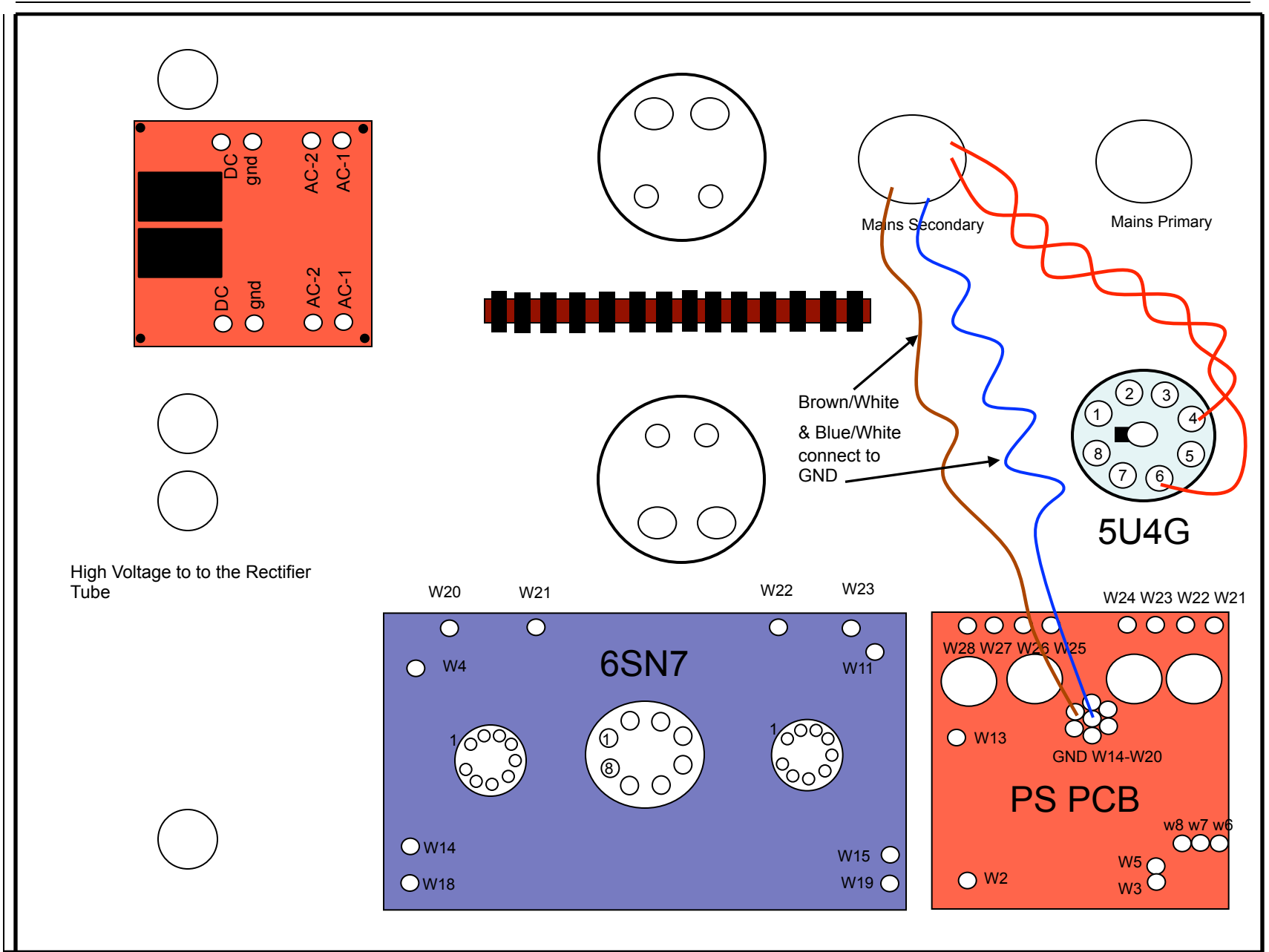
Kit1 300B Single Ended T-199 Mains Transformer



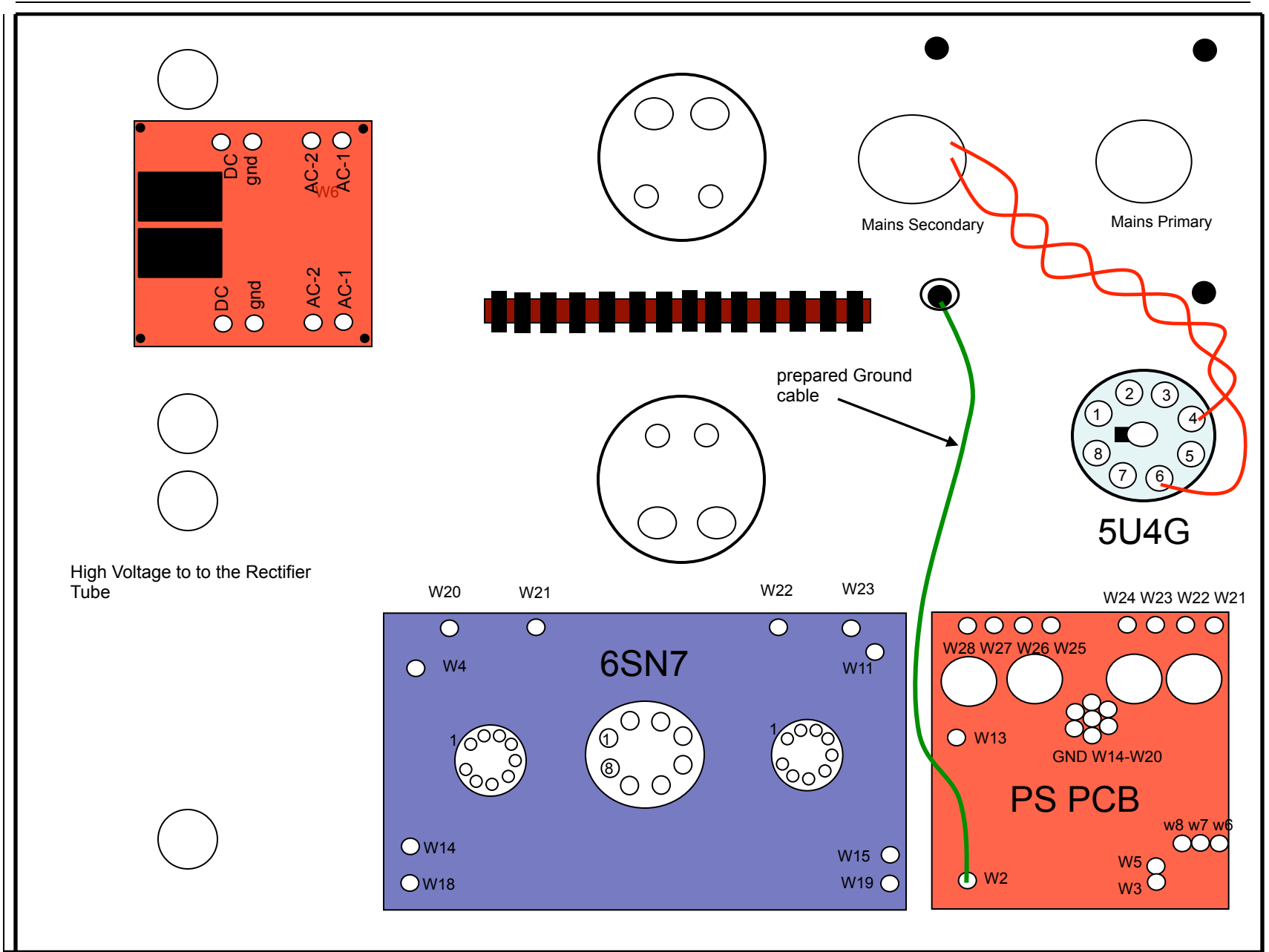
Kit1 300B Single Ended T-199 Mains Transformer



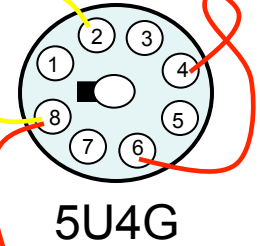
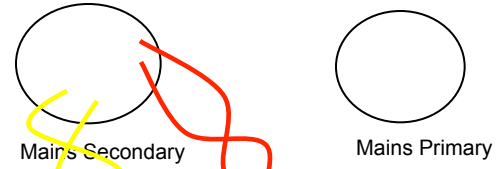
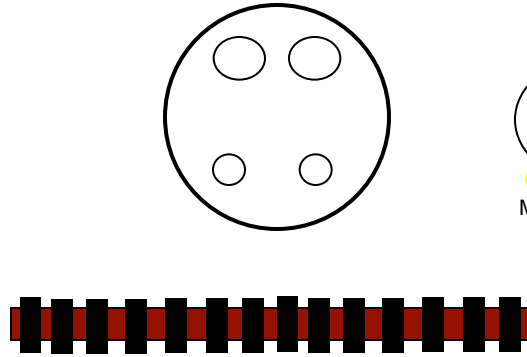
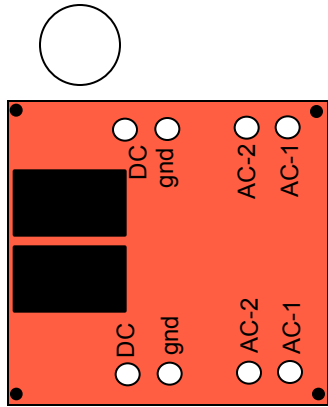
Kit1 300B Single Ended T-199 Mains Transformer



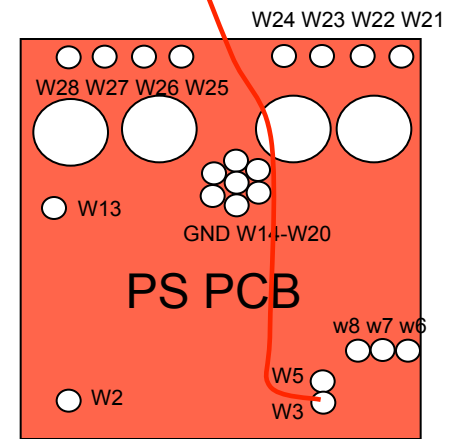
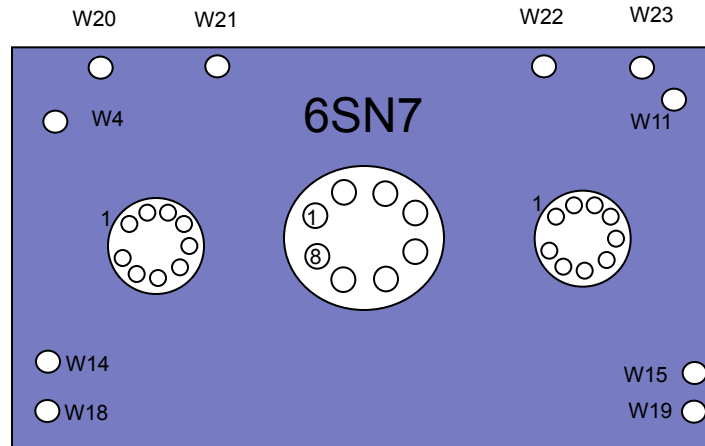
Kit1 300B Single Ended T-199 Mains Transformer



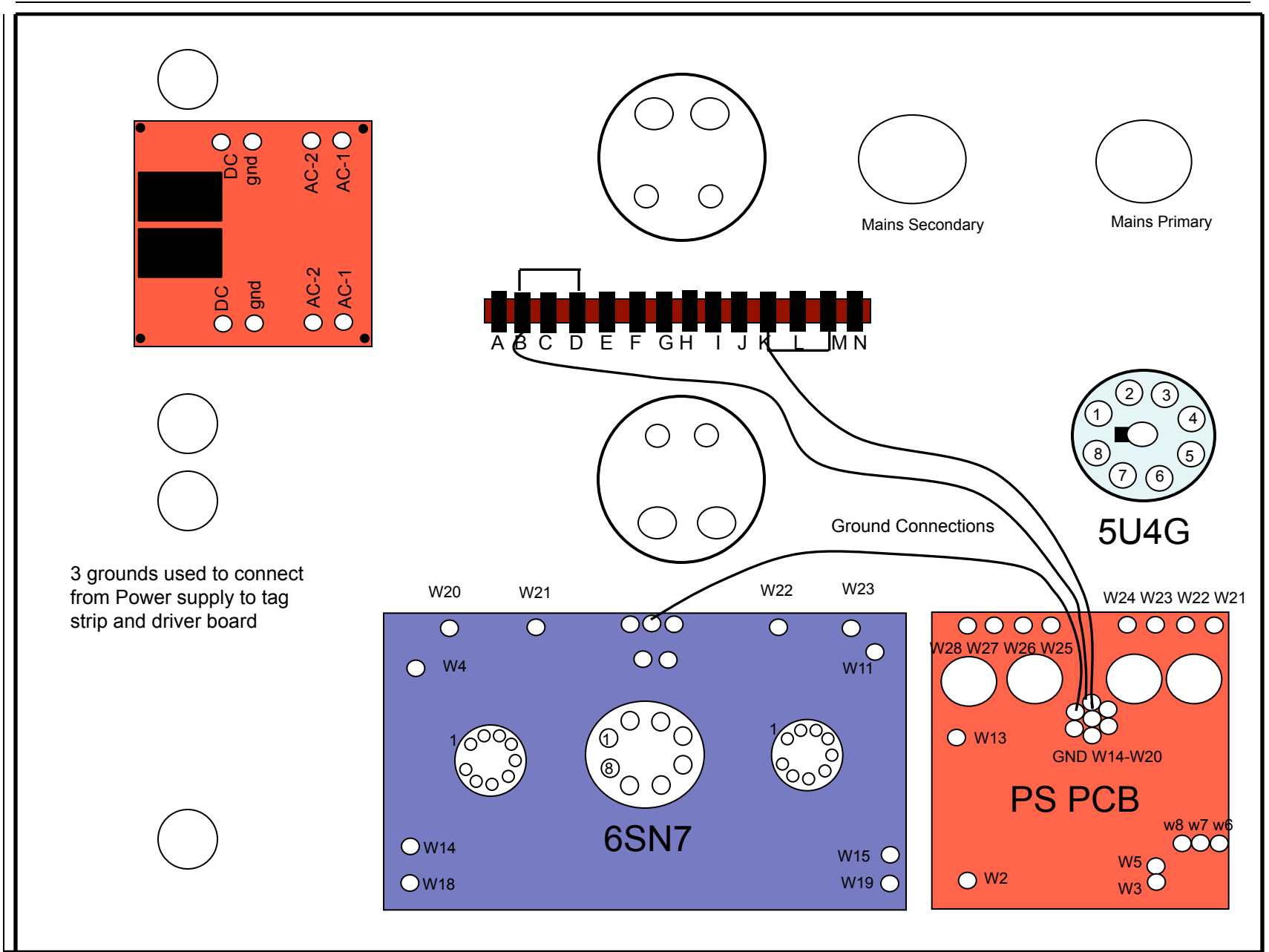
Kit1 300B Single Ended T-199 Mains Transformer



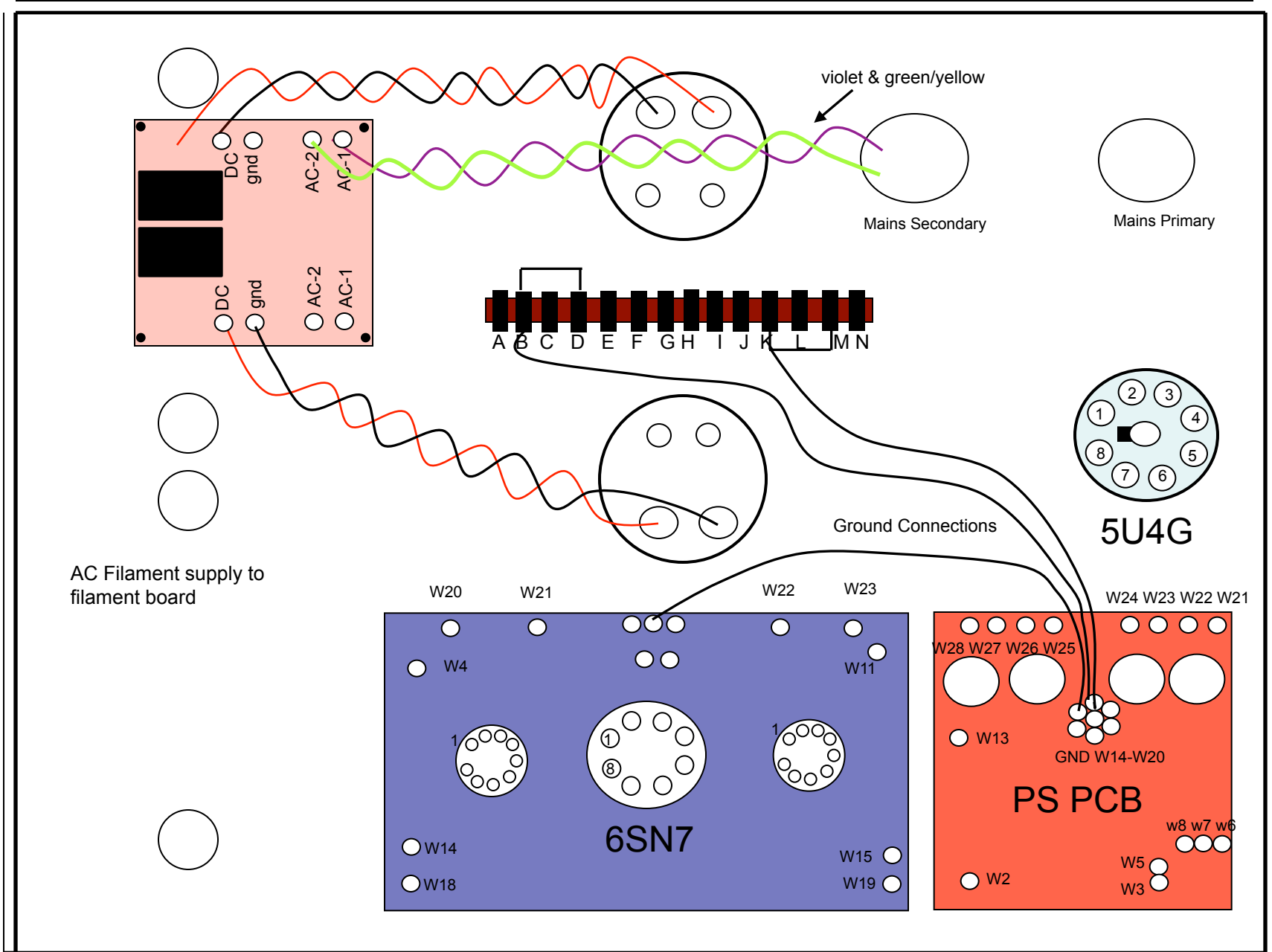
High Voltage and yellow filament supply for 5U4G along with the power supply board connection



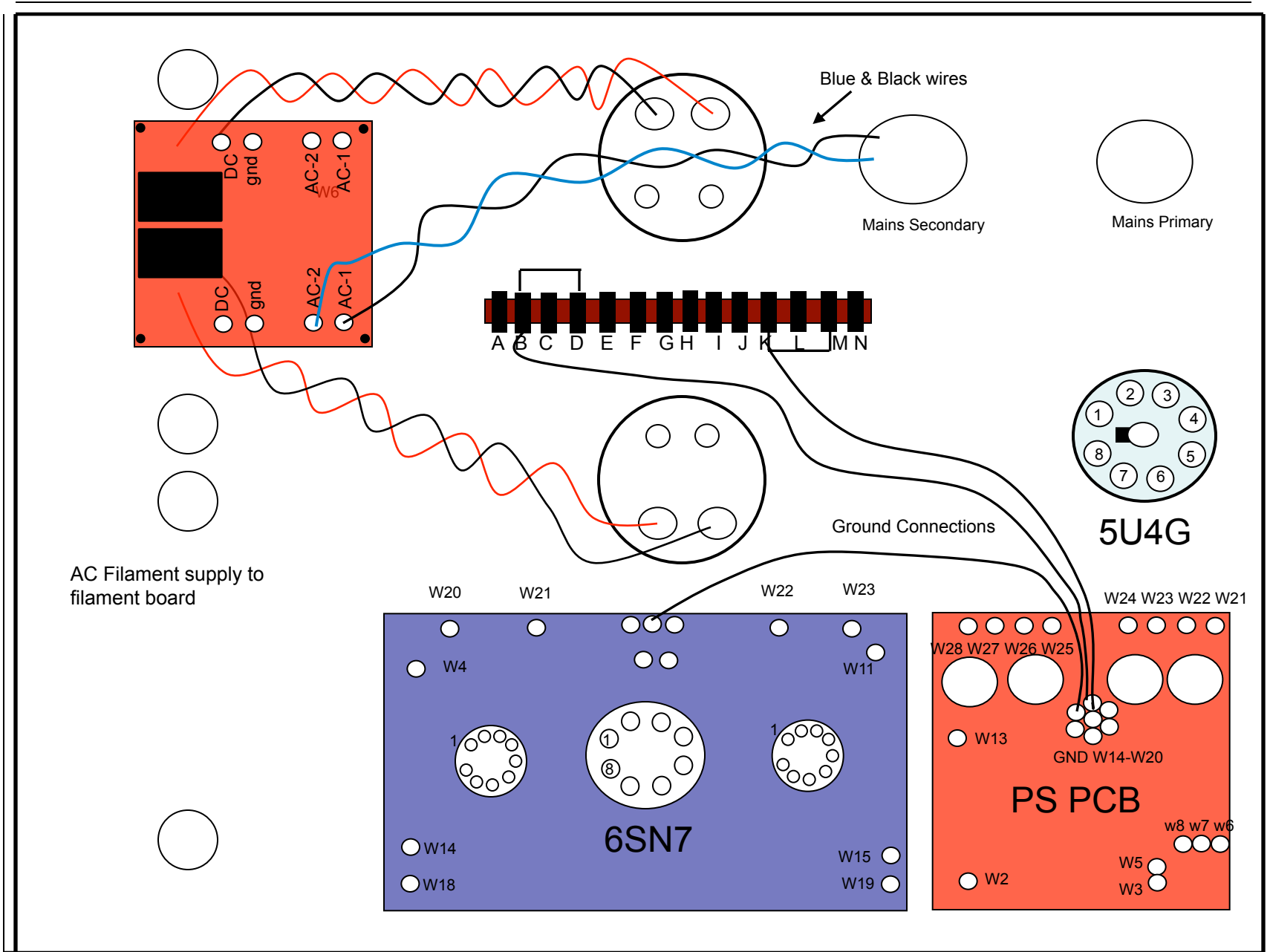
Kit1 300B Single Ended T-199 Mains Transformer



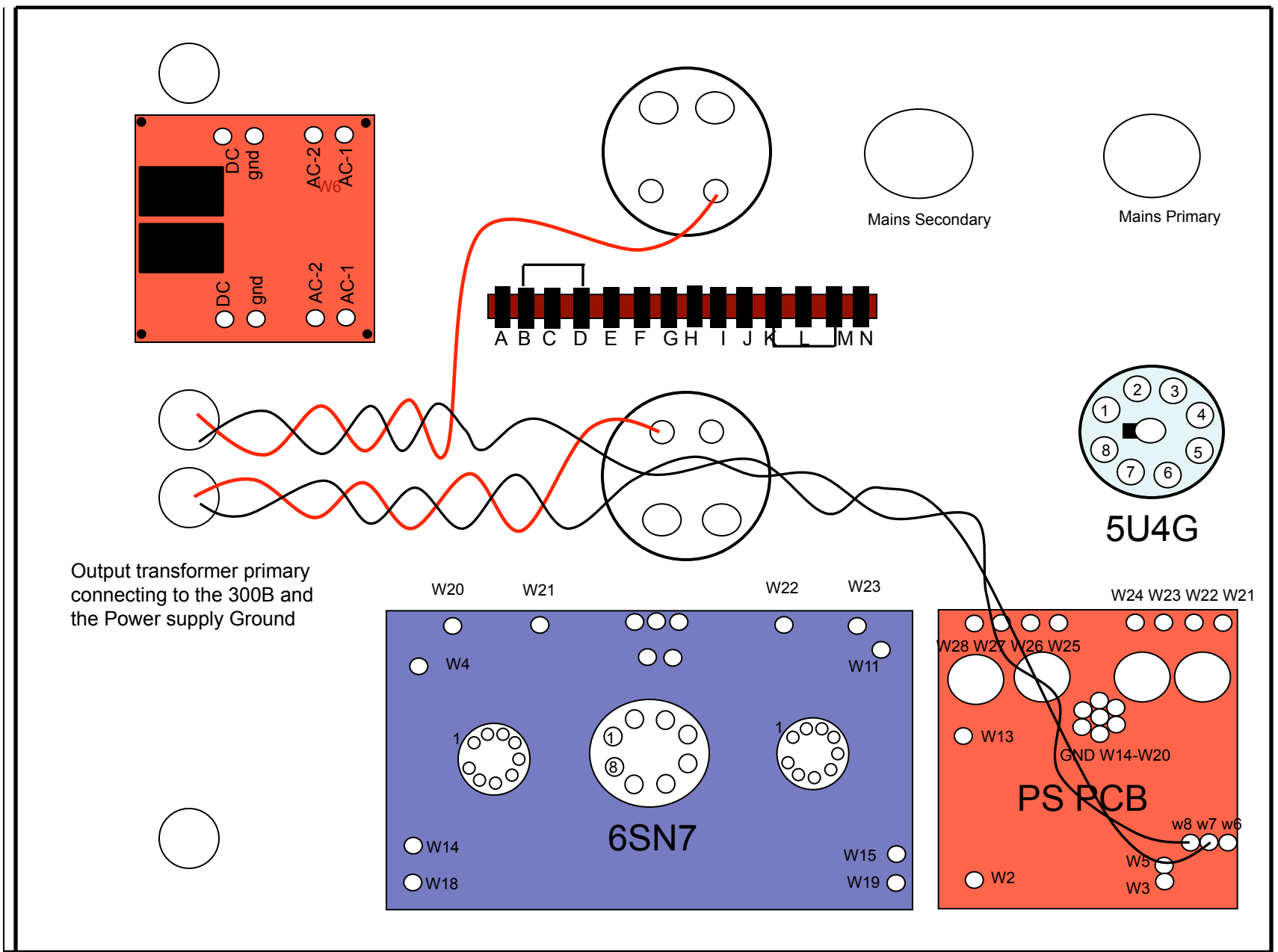
Kit1 300B Single Ended T-199 Mains Transformer



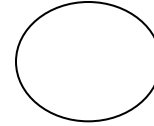
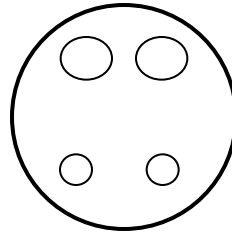
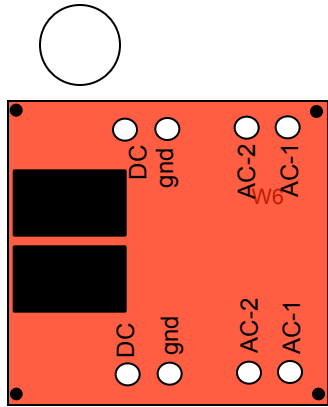
Kit1 300B Single Ended T-199 Mains Transformer



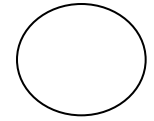
Kit1 300B Single Ended T-199 Mains Transformer



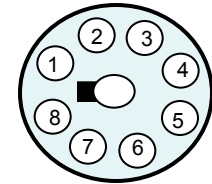
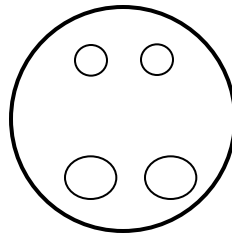
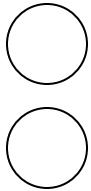
Kit1 300B Single Ended T-199 Mains Transformer



Mains Secondary

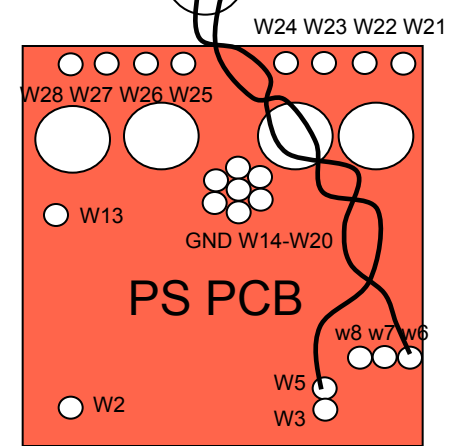
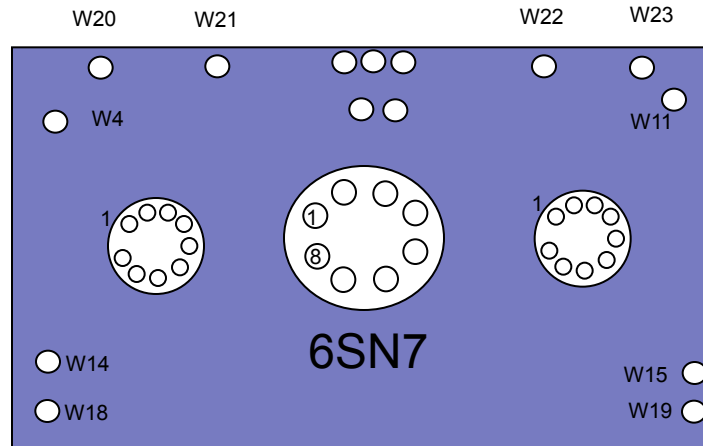


Mains Primary

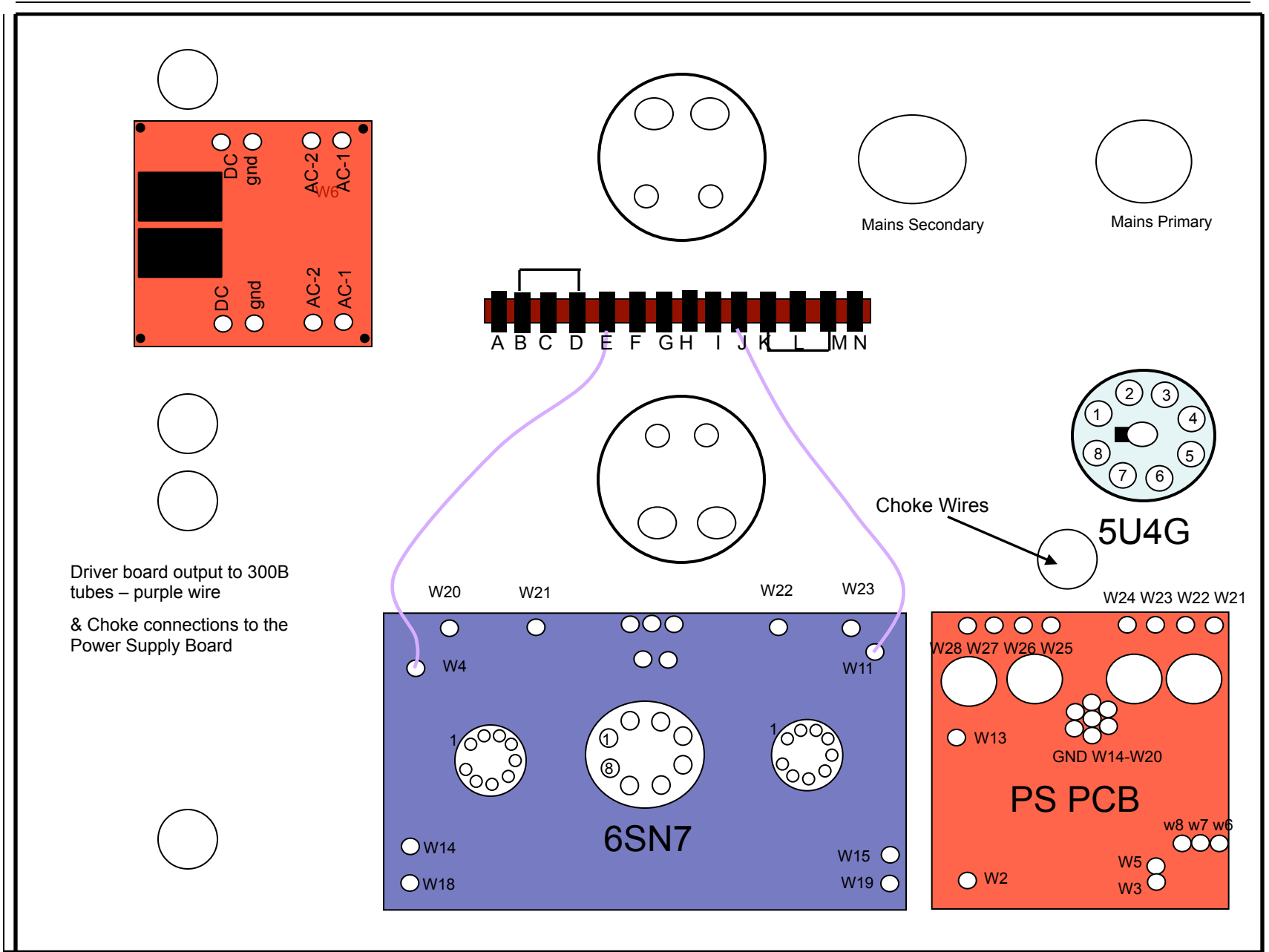


5U4G

Choke Wires

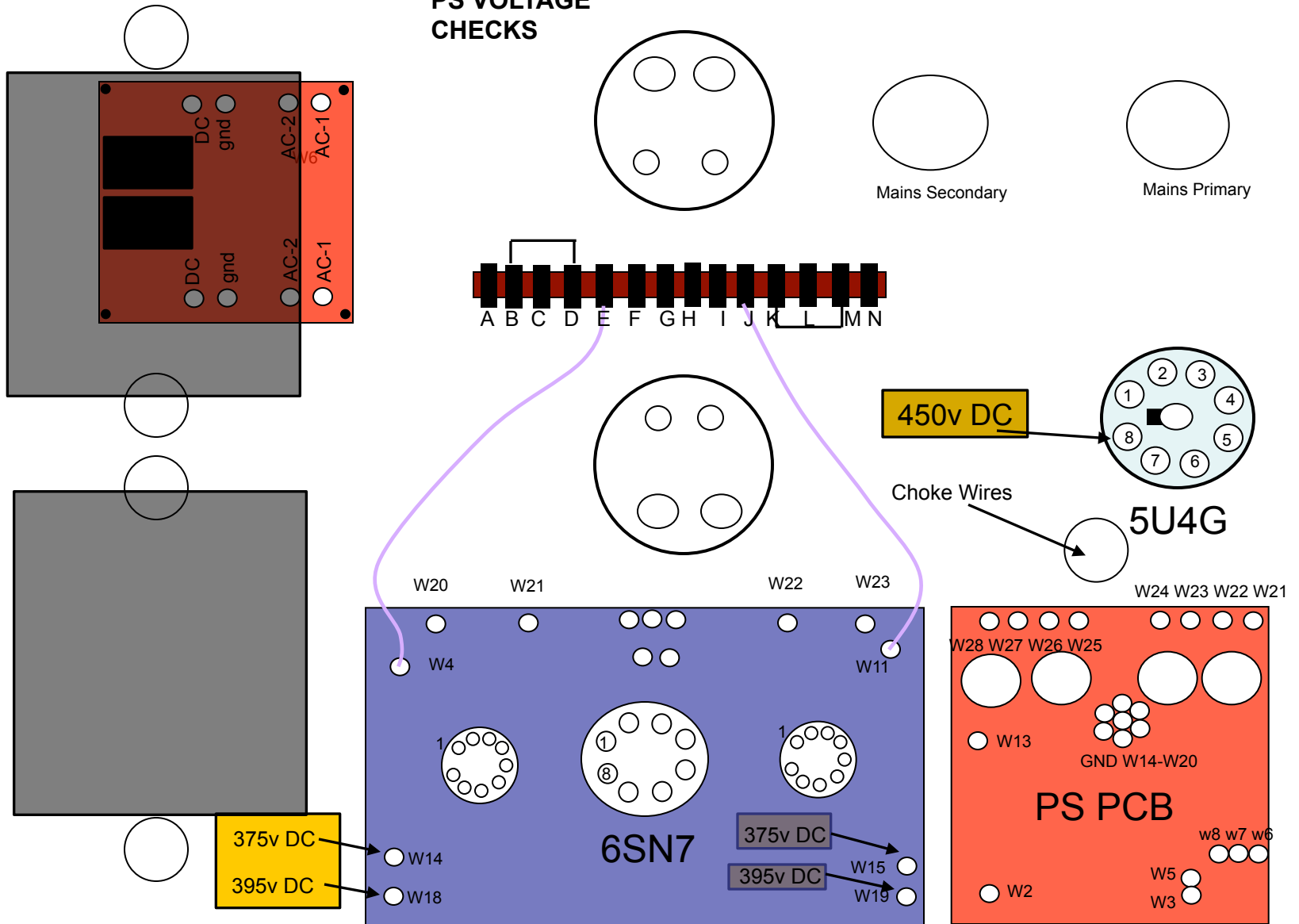


Kit1 300B Single Ended T-199 Mains Transformer

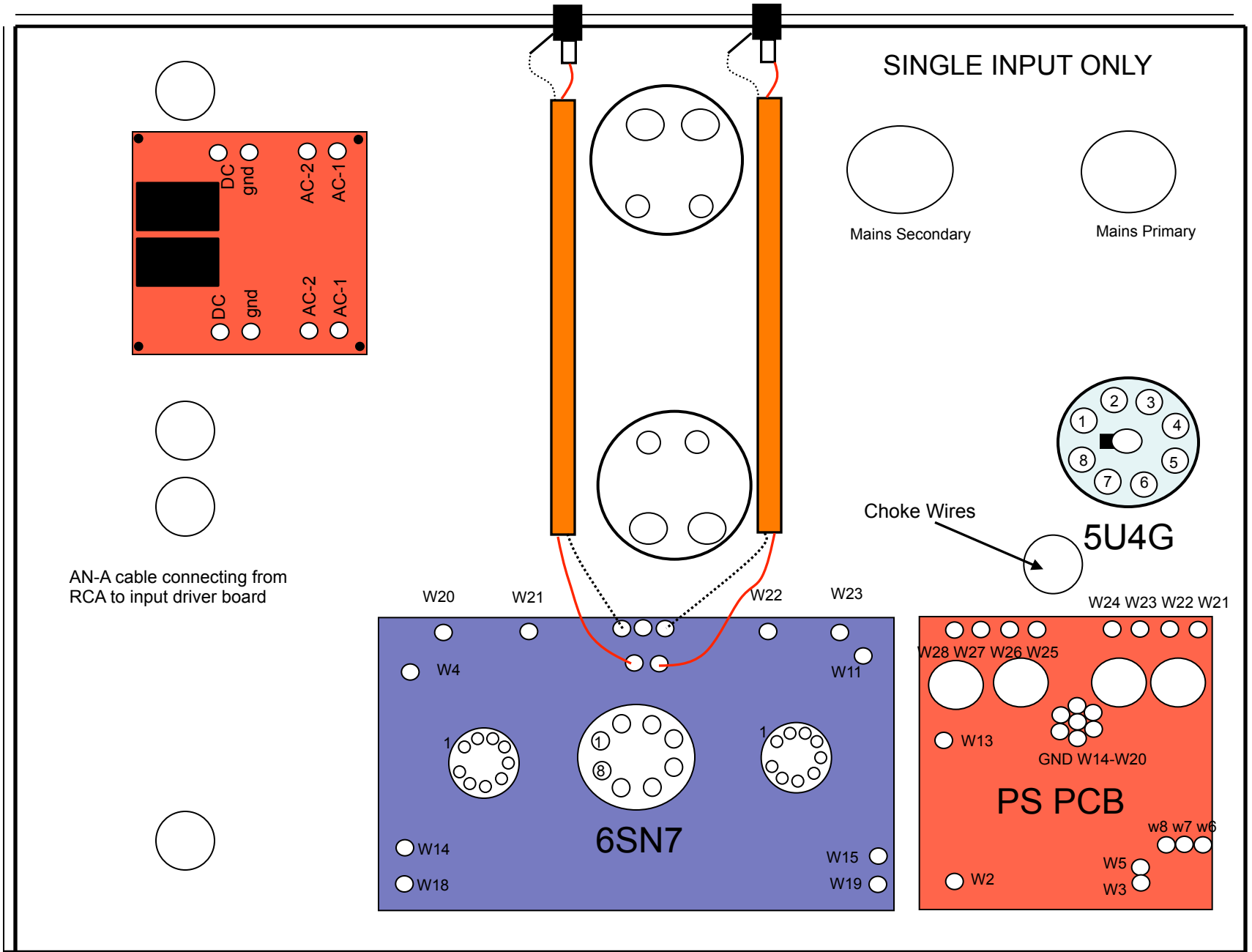


Kit1 300B Single Ended T-199 Mains Transformer

PS VOLTAGE CHECKS



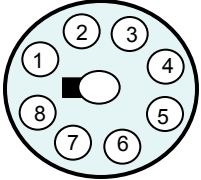
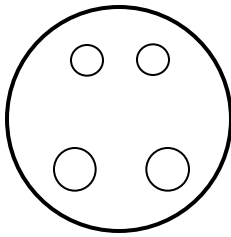
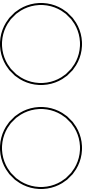
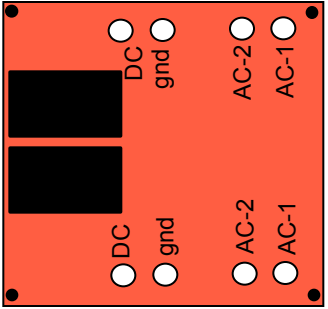
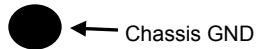
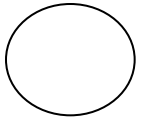
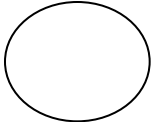
Kit1 300B Single Ended T-199 Mains Transformer



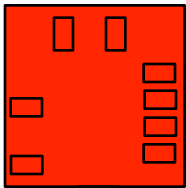
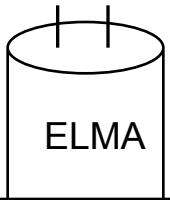
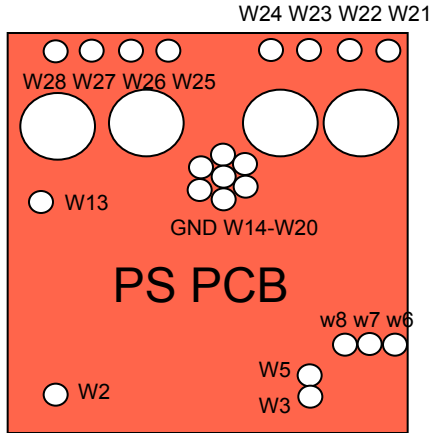
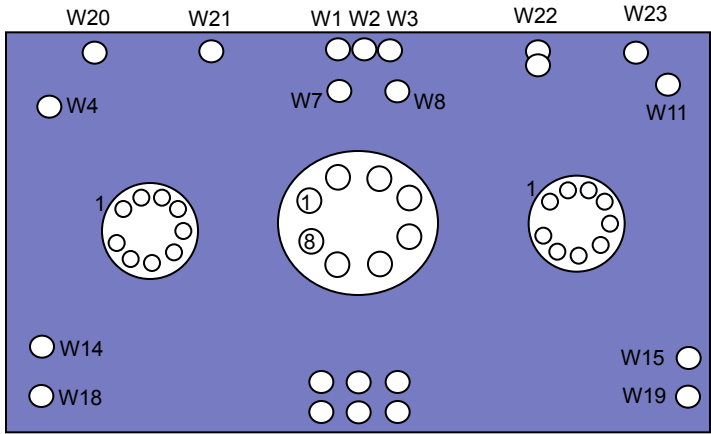
Kit1 300B Single Ended T-199 Mains Transformer



Selector Switch Version

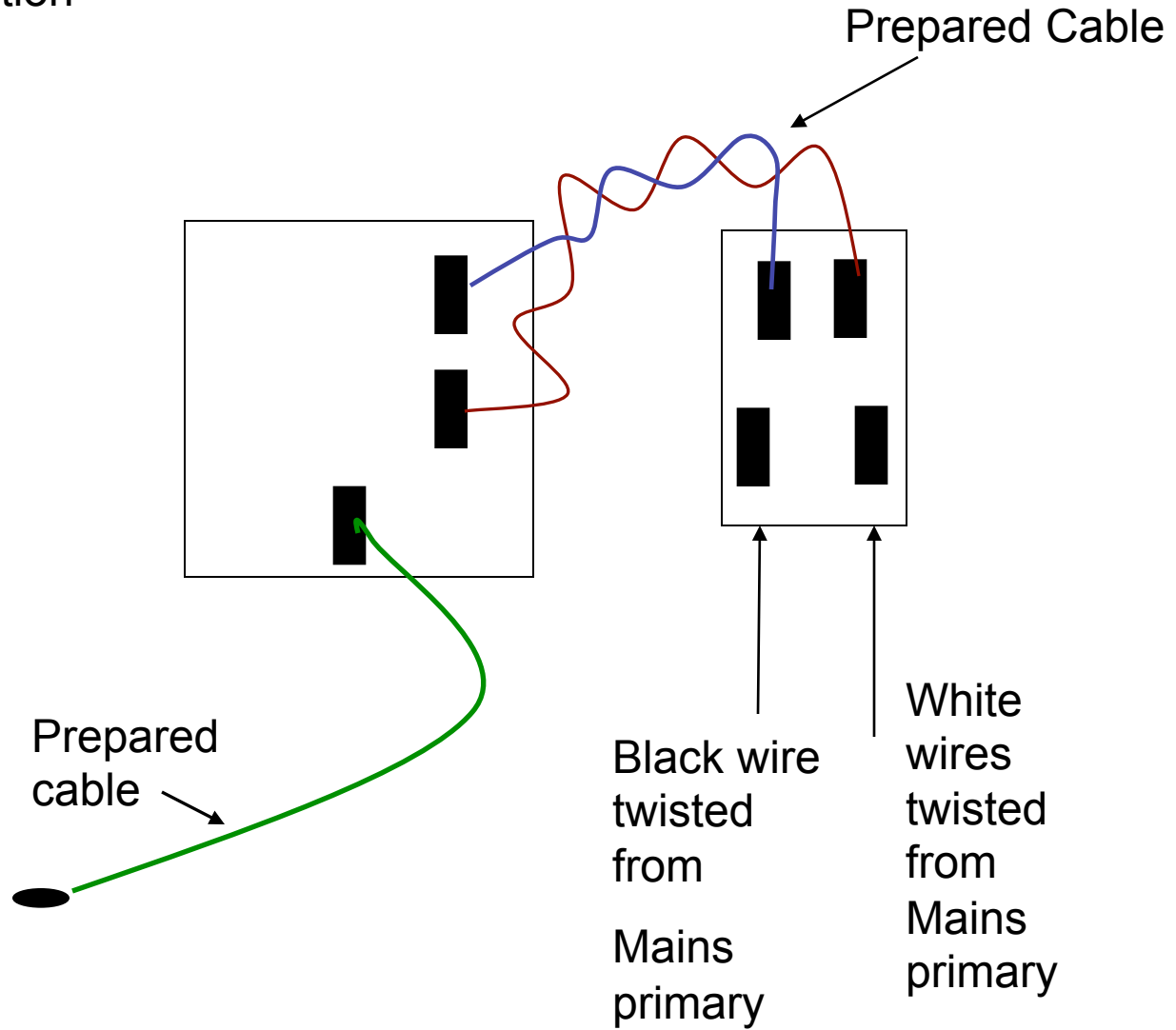


Overview of Kit1 layout



Kit1 300B Single Ended T-199 Mains Transformer

120v operation





ANK Audio Kits

The makers of the finest audiophile products in kit form based on the Audio Note design philosophy.

Web: www.ankaudiokits.com Tel: 001 613 822 7188
email: support@ankaudiokits.com | audionotekits@rogers.com