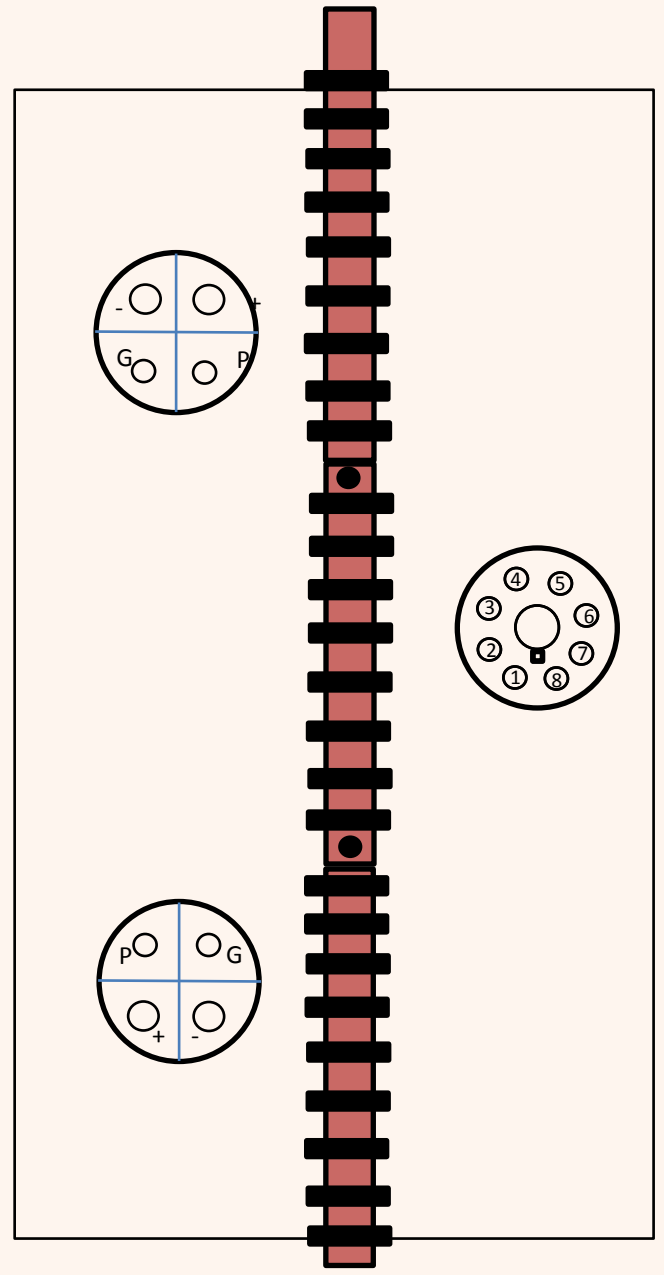
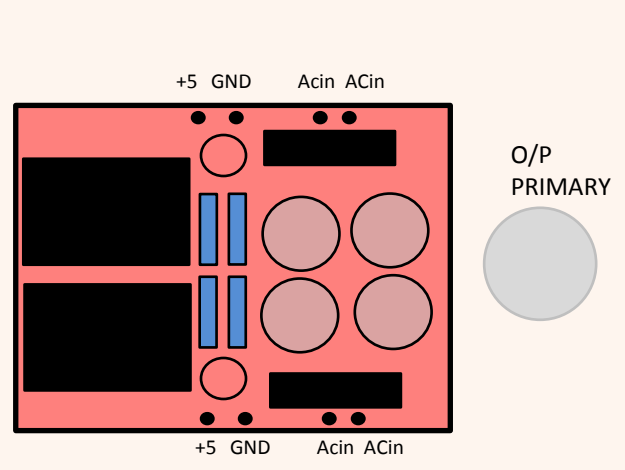
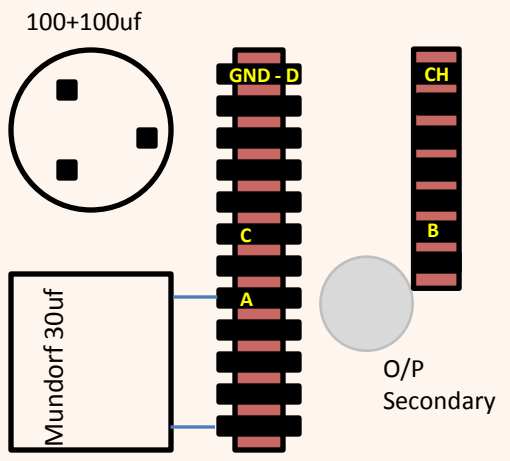
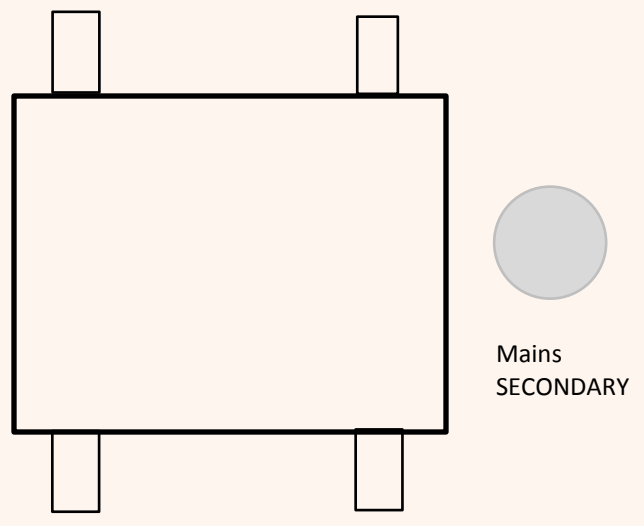
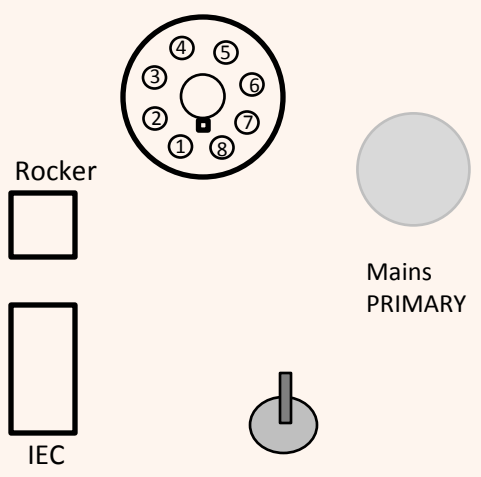
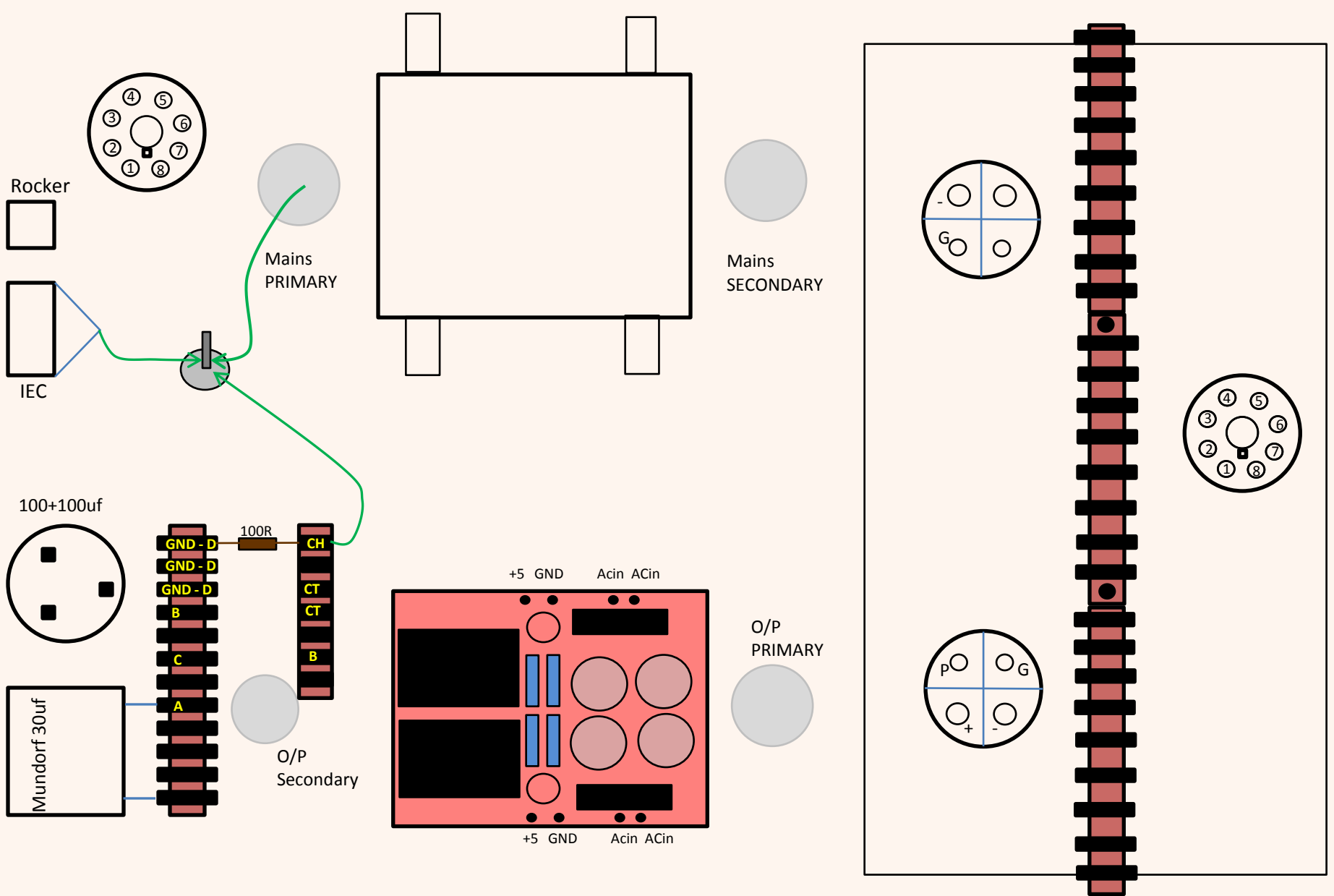


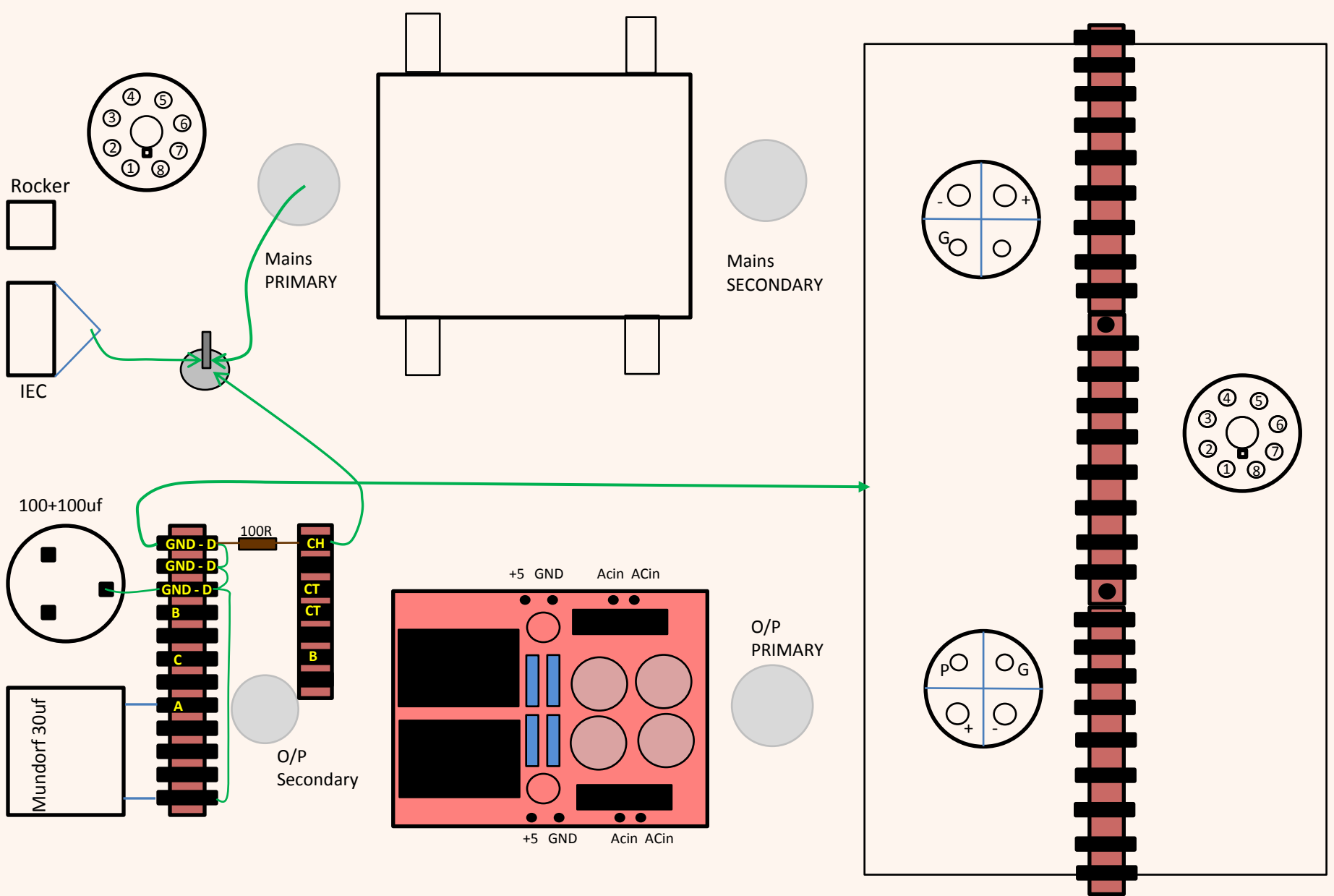
Legend MonoBlock 2.0 Master



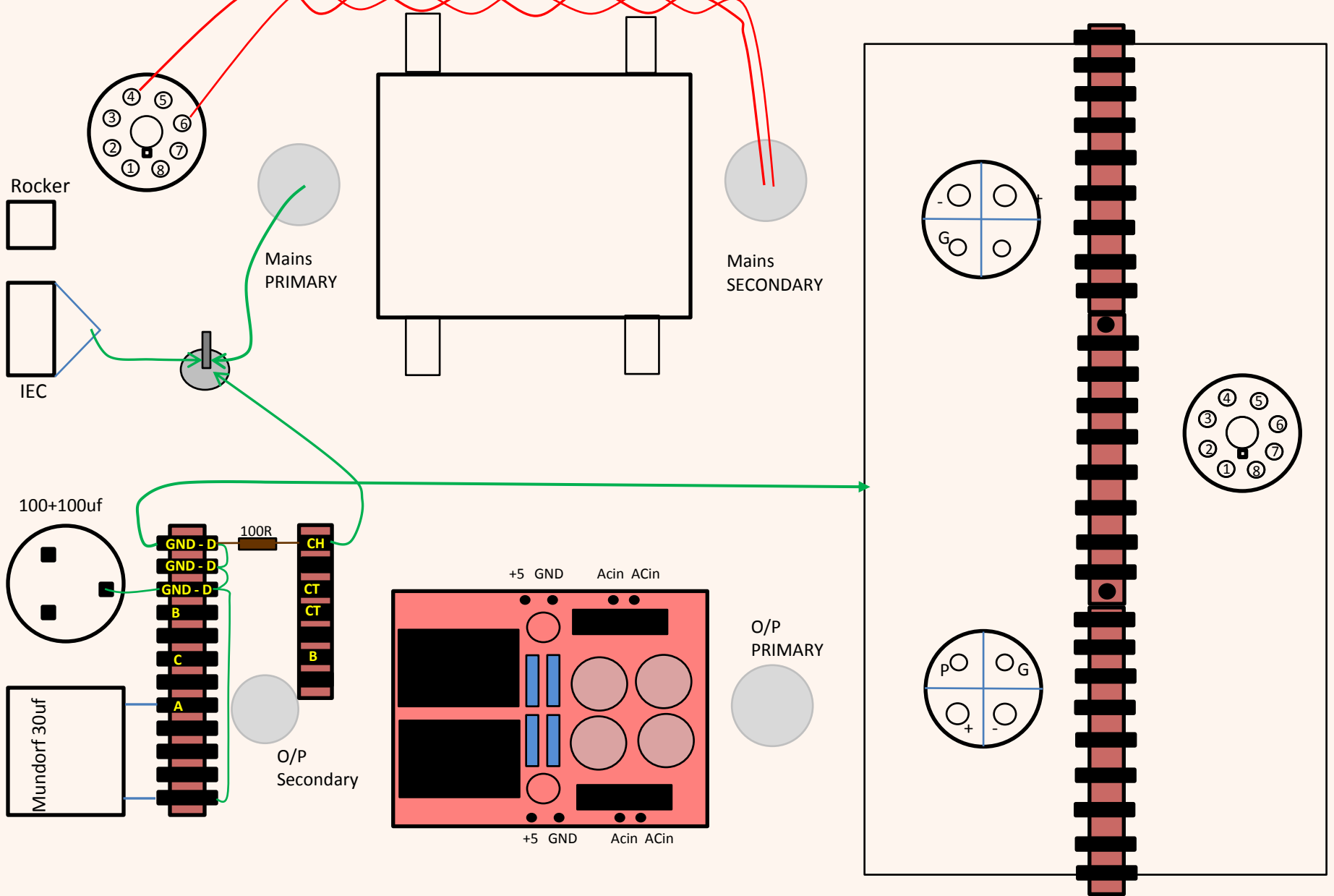
Legend MonoBlock – CHASSIS GND's



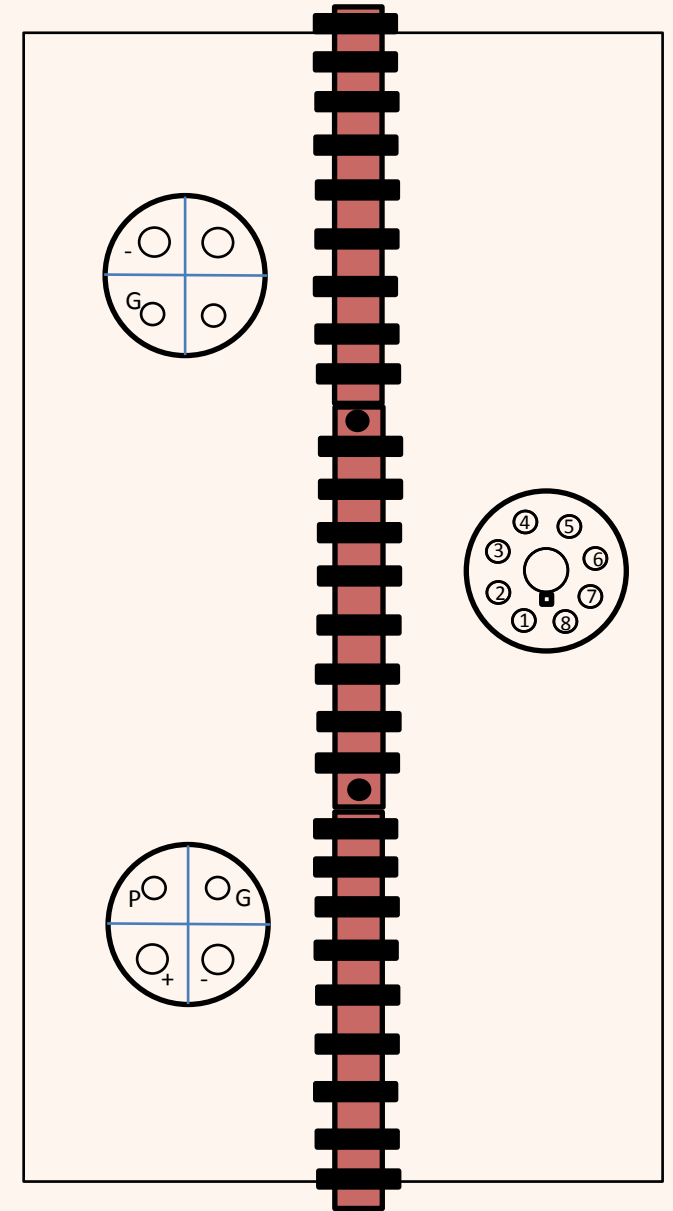
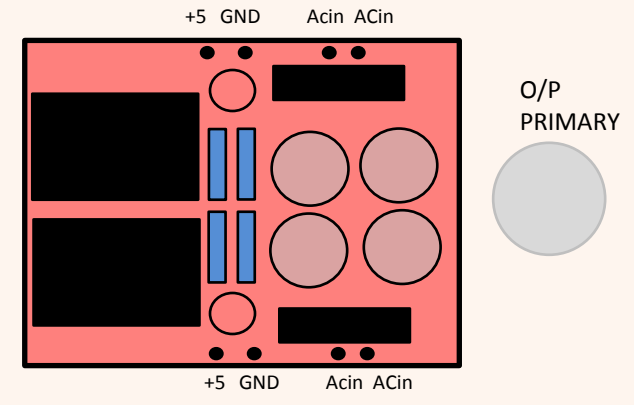
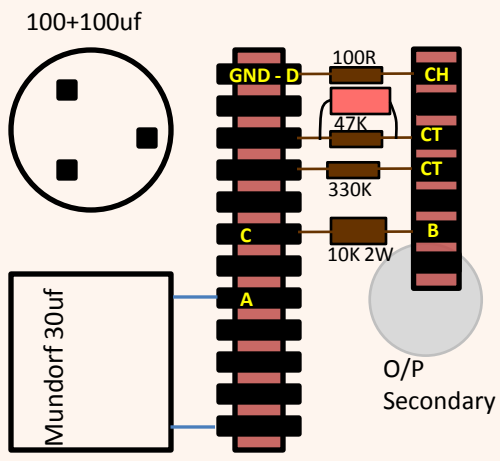
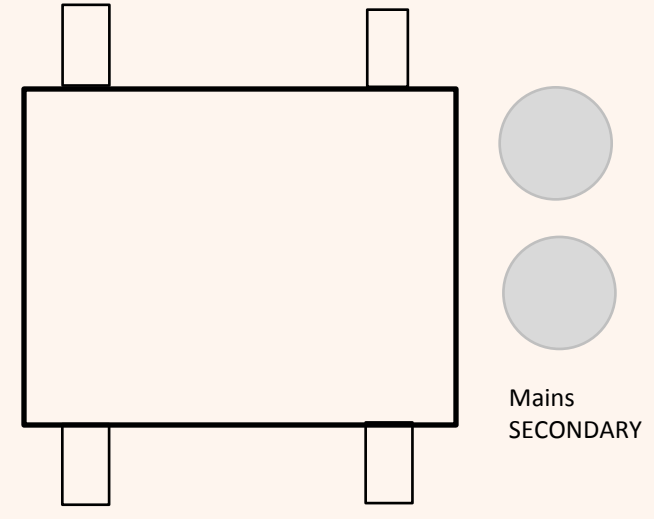
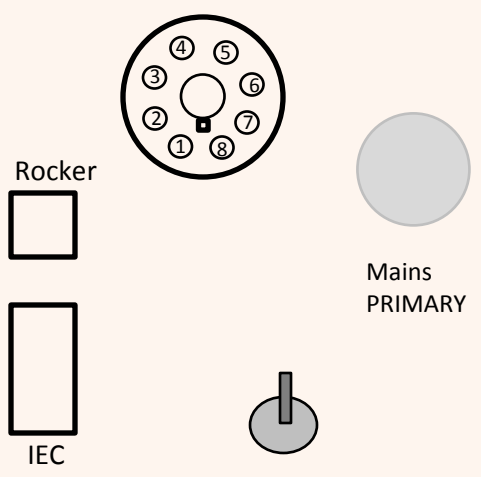
Legend MonoBlock – CHASSIS GND's & signal gnd



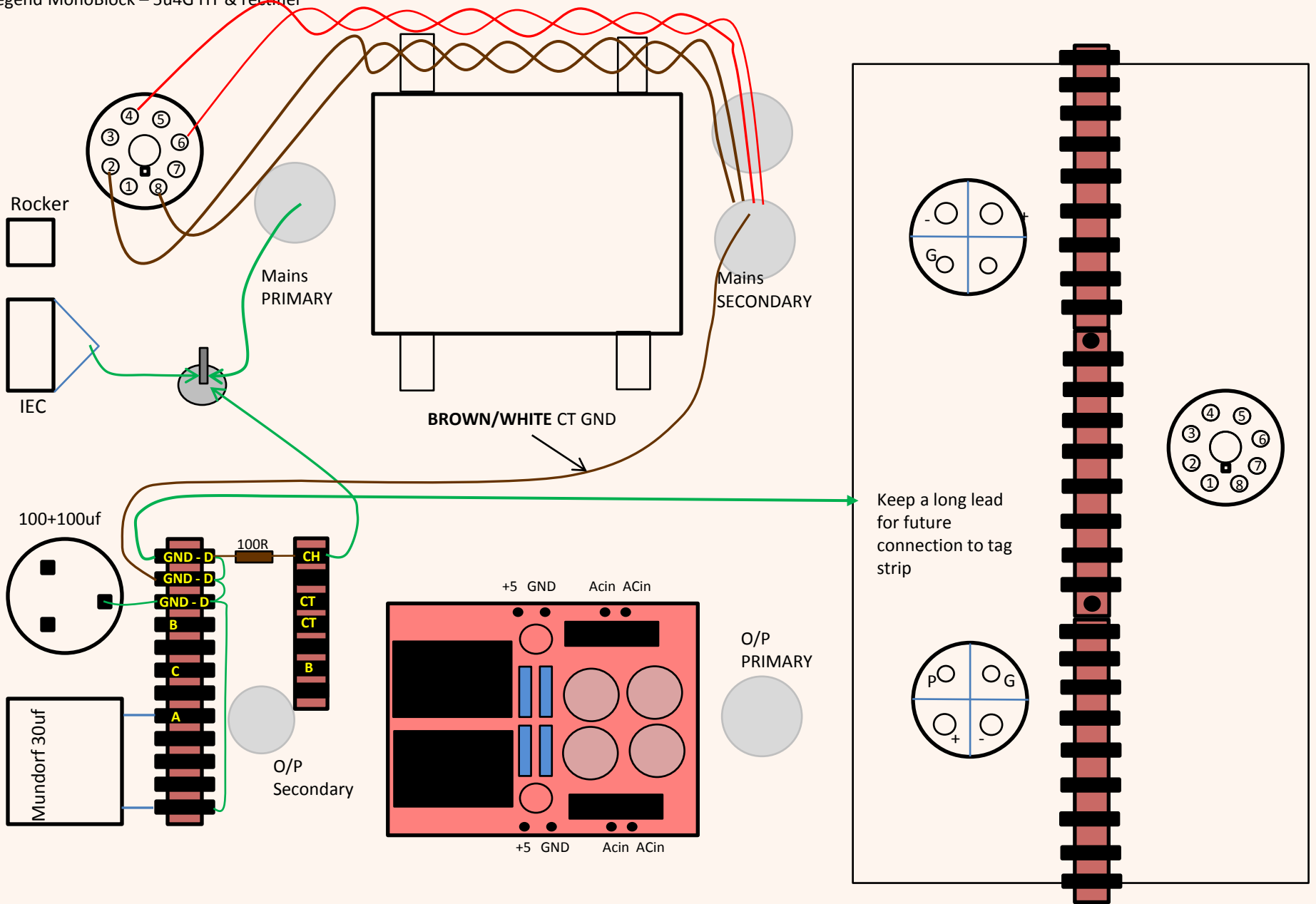
Legend MonoBlock – 5u4G HT



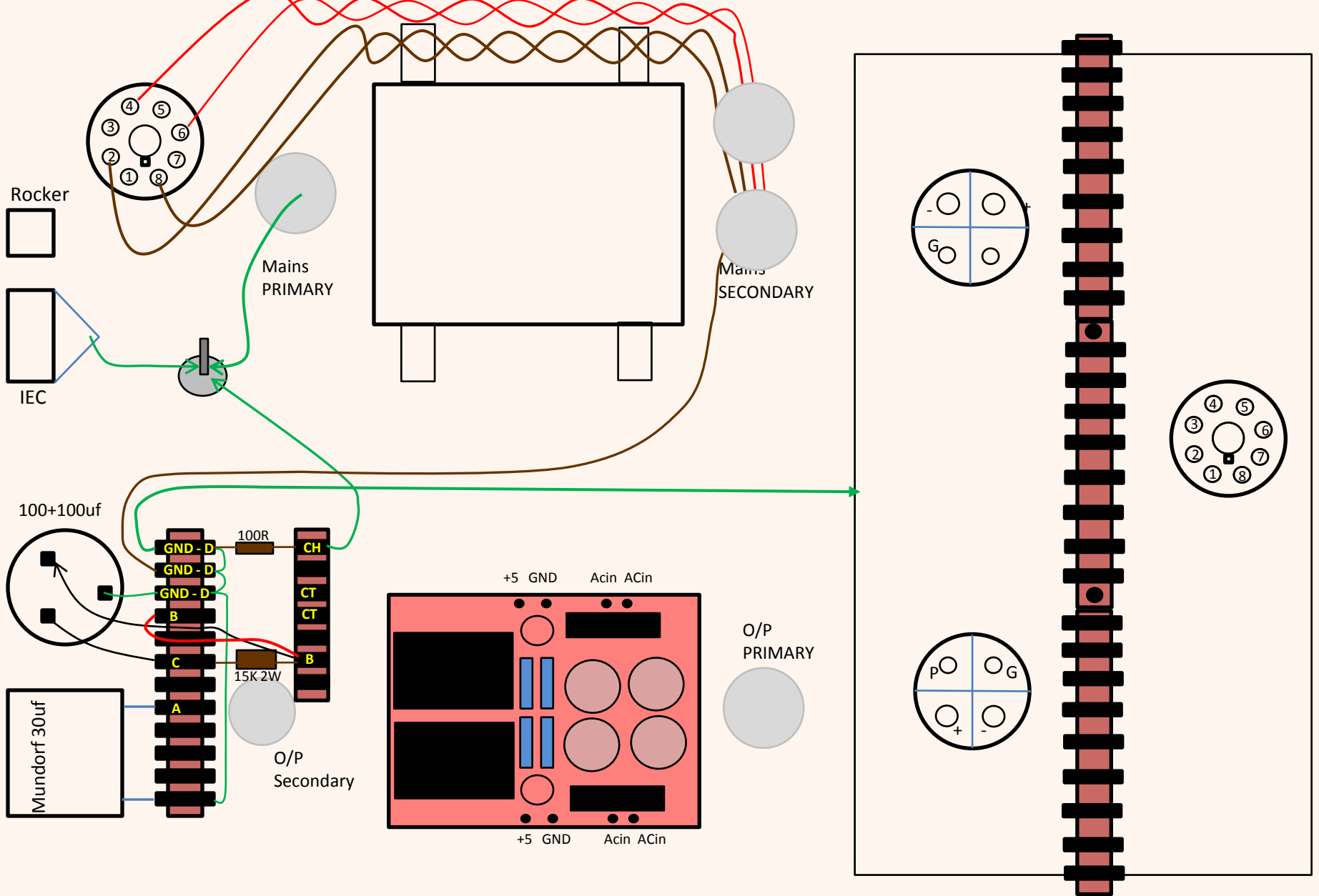
Legend MonoBlock Master – Power  
Supply Resistors VIEW



Legend MonoBlock – 5u4G HT & rectifier

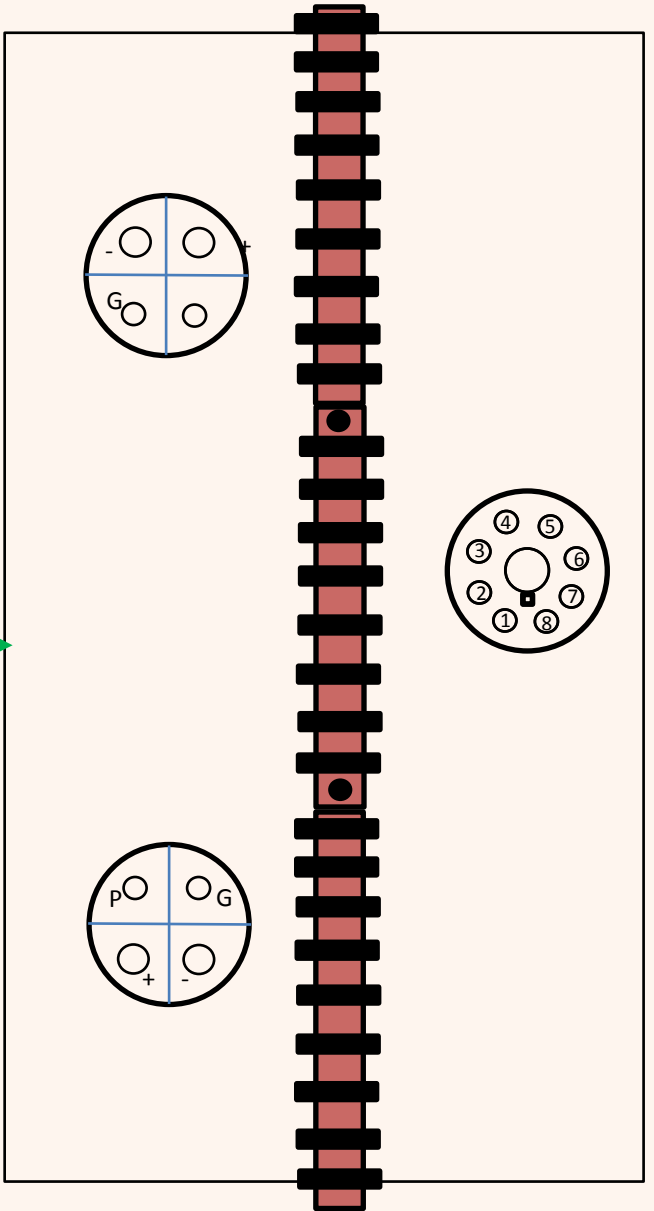
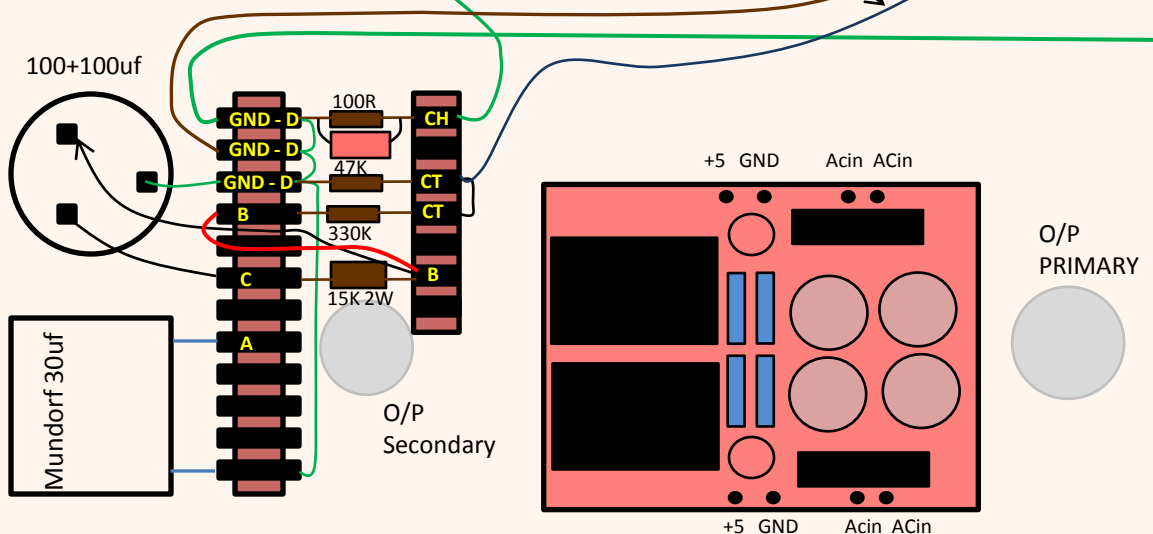
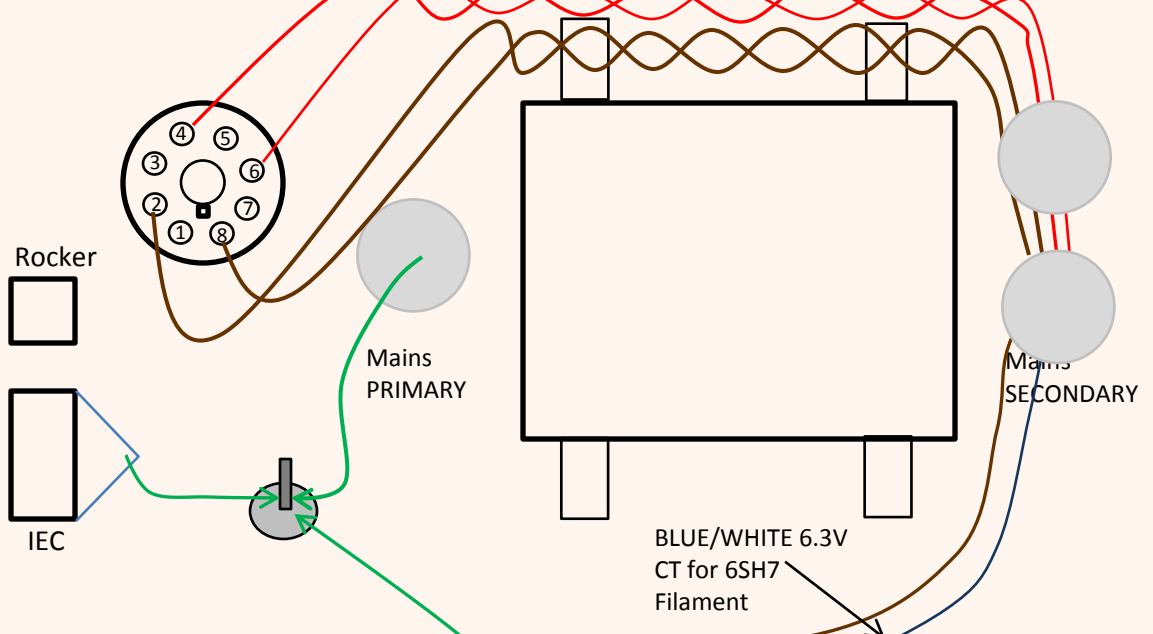


Legend MonoBlock – Power supply 100uf cap connections



Legend MonoBlock - 47K 330K CT for 300B parallel

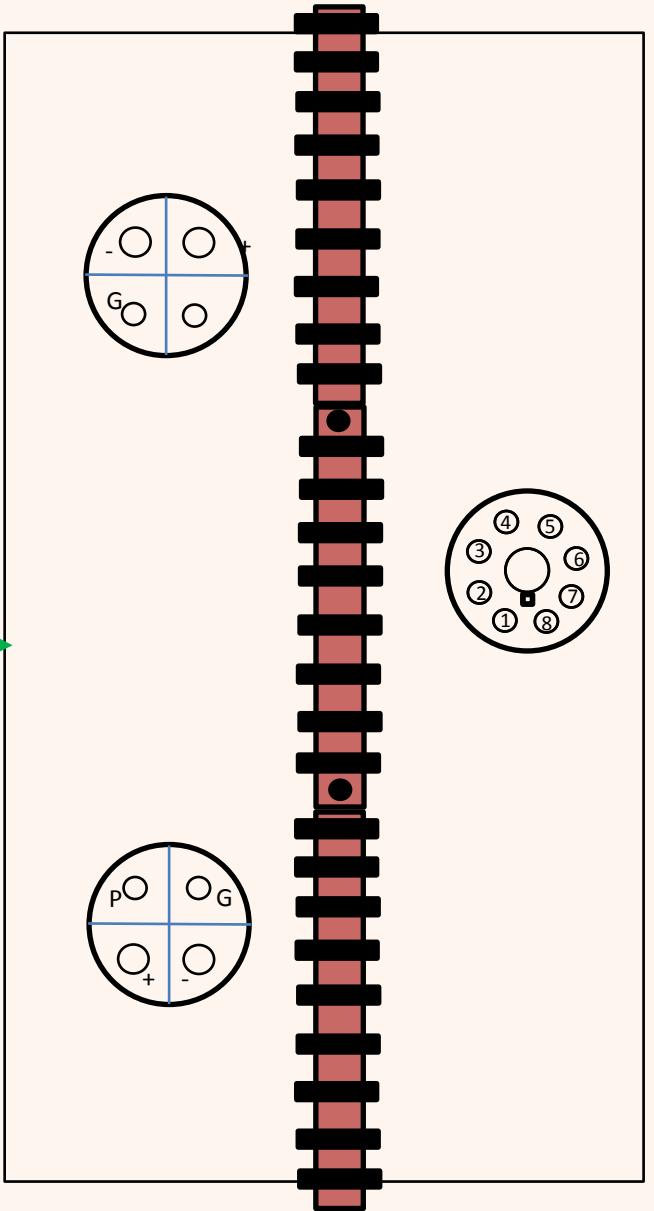
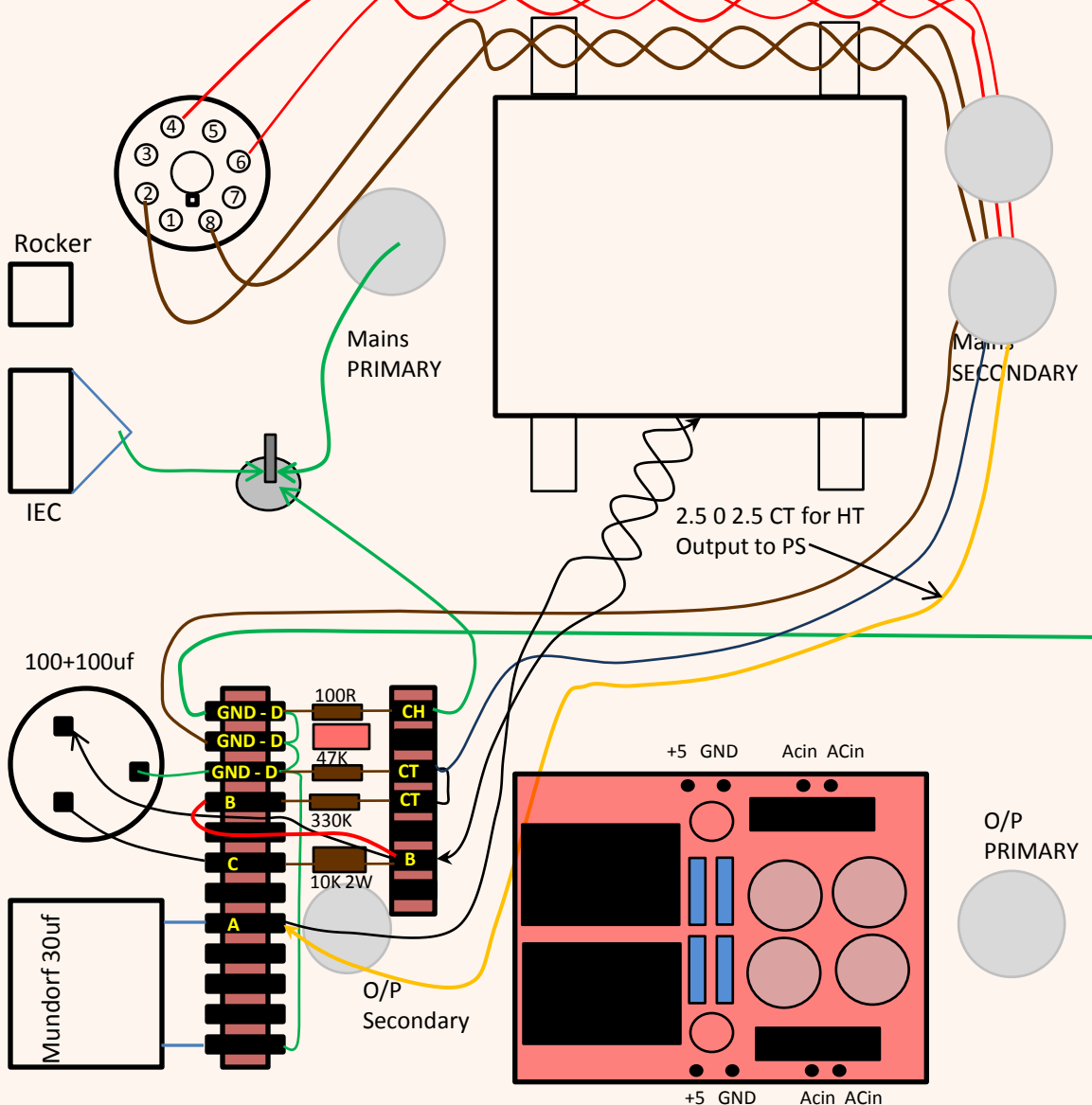
Note: All components are not shown for clarity





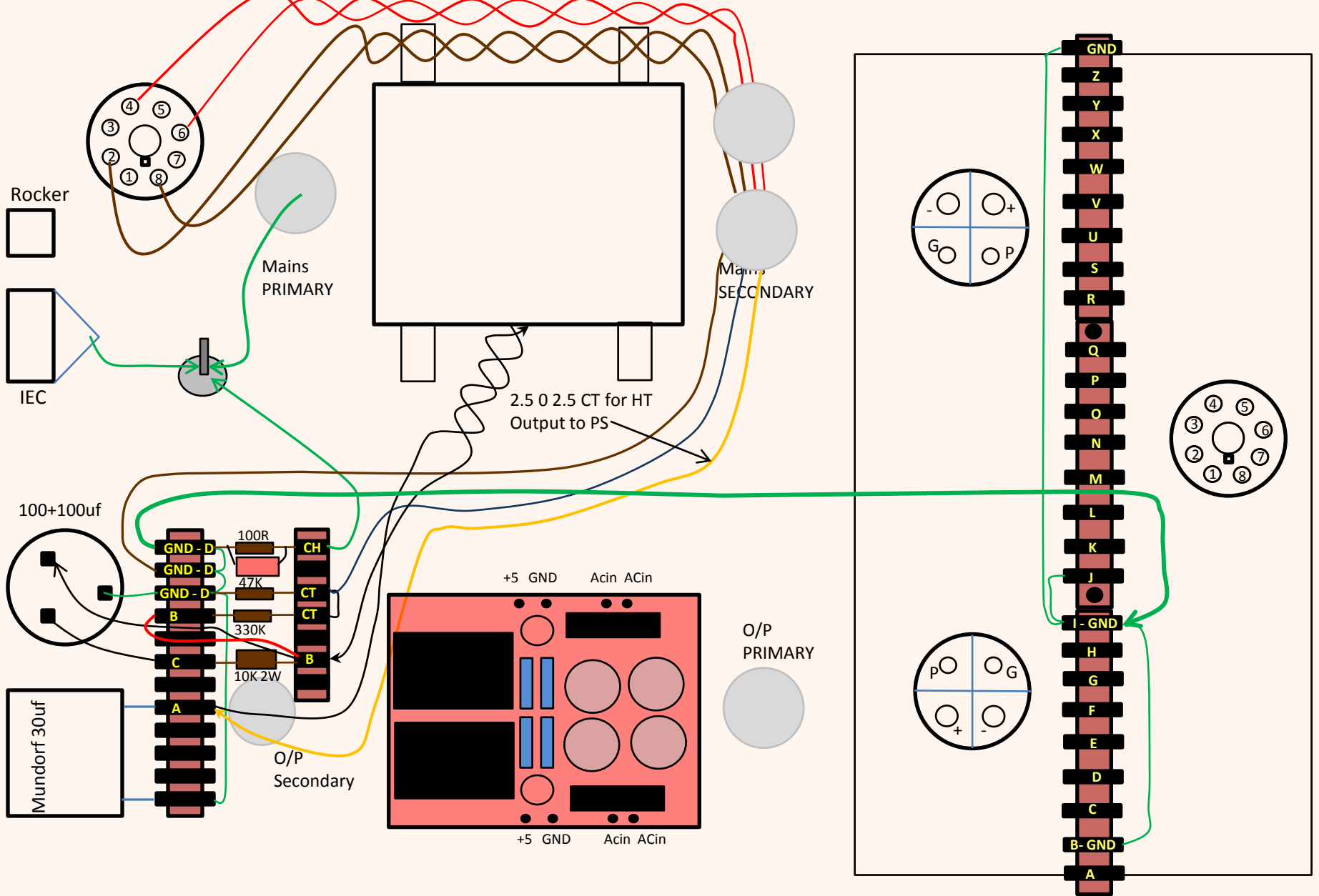
Legend MonoBlock – CHOKE & rectifier Center tap

Note: All components are not shown for clarity



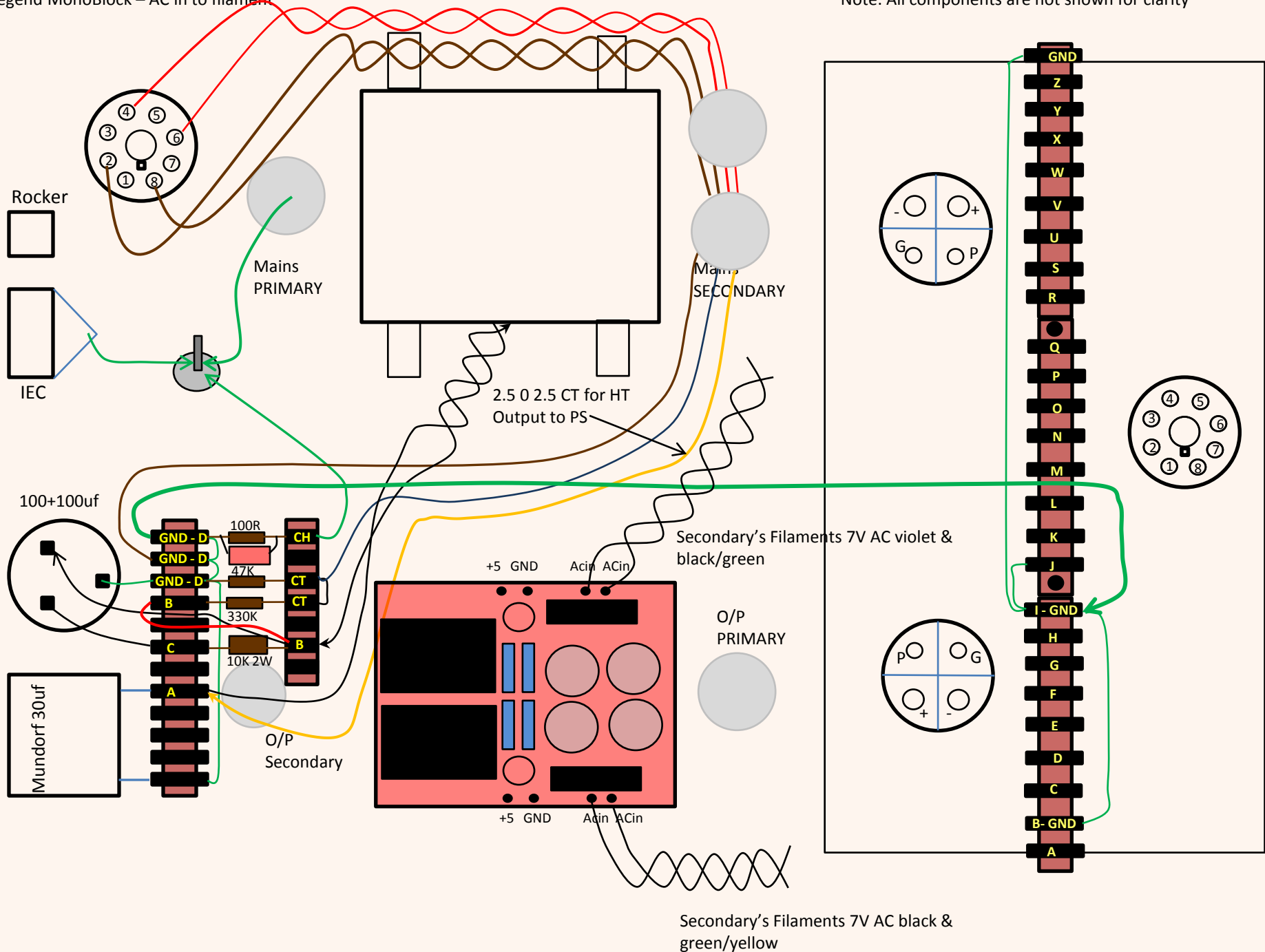
Legend MonoBlock – Front Insert Ground Wires

Note: All components are not shown for clarity



Legend MonoBlock – AC in to filament

Note: All components are not shown for clarity



Secondary's Filaments 7V AC black & green/yellow

Secondary's Filaments 7V AC violet & black/green

2.5 0 2.5 CT for HT Output to PS

Mains PRIMARY

Mains SECONDARY

O/P Secondary

O/P PRIMARY

Rocker

IEC

100+100uf

Mundorf 30uf

+5 GND

Acin ACin

+5 GND

Acin ACin

GND

Z

Y

X

W

V

U

S

R

Q

P

O

N

M

L

K

J

I-GND

H

G

F

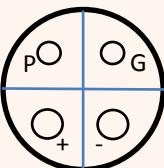
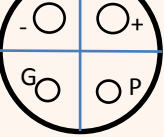
E

D

C

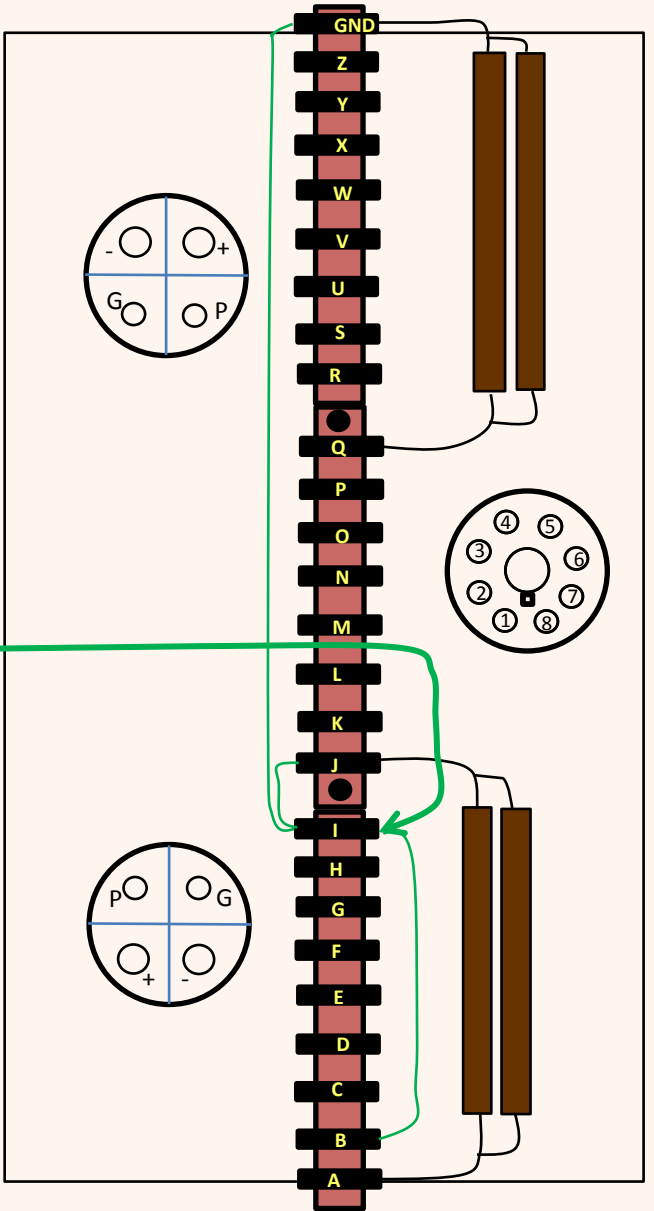
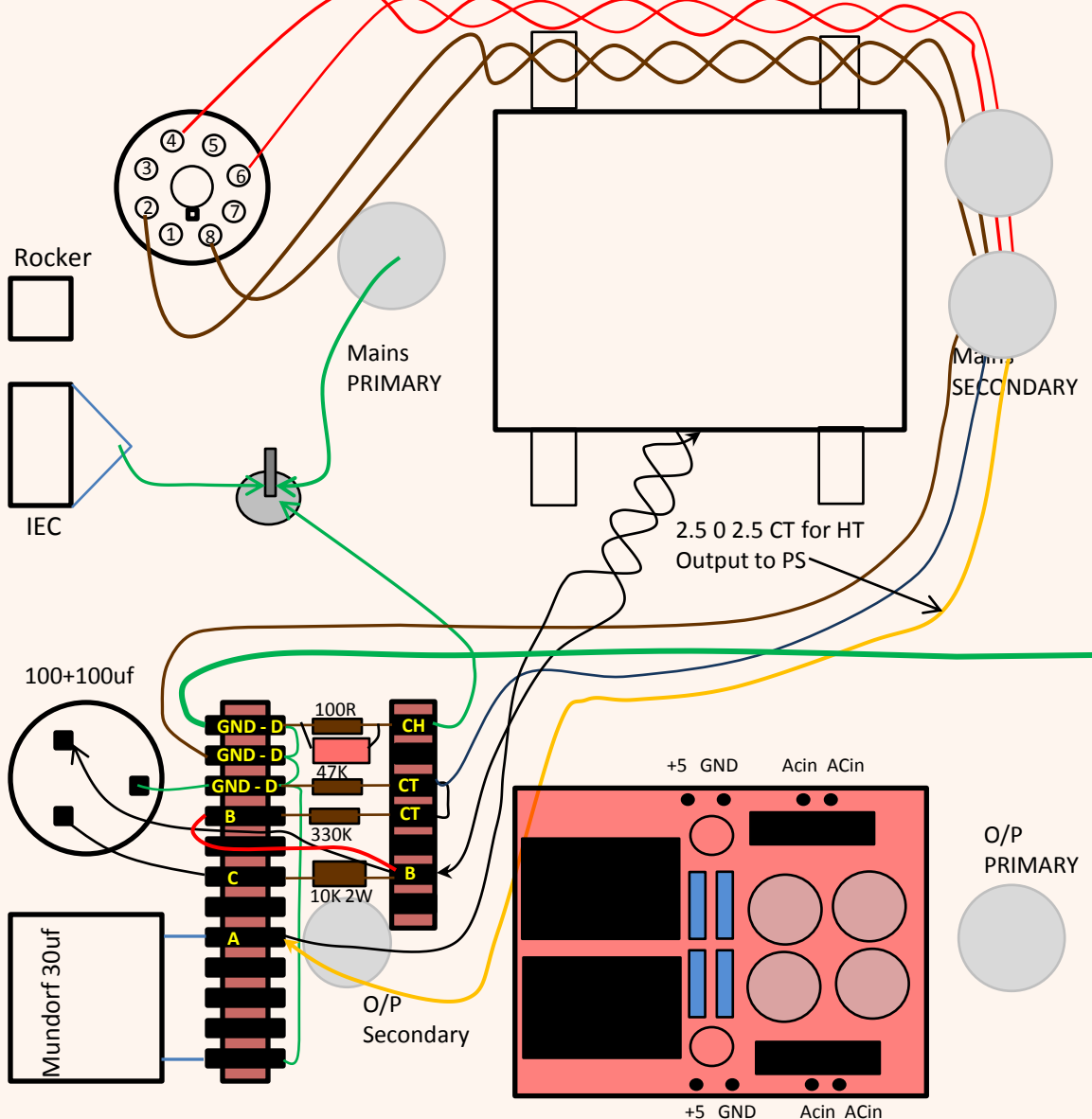
B-GND

A



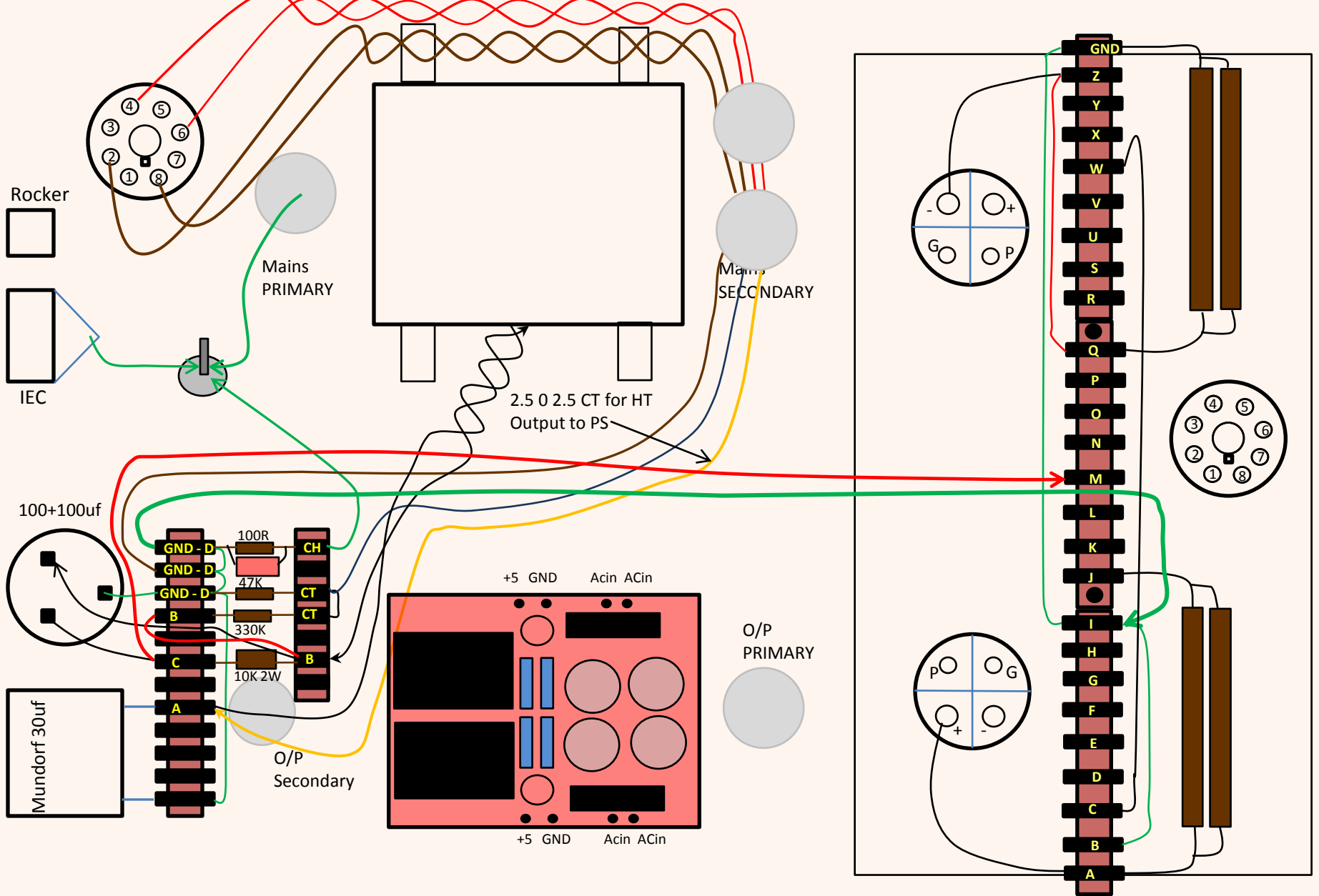
Legend MonoBlock – Front Insert 1K8 resistors

Note: All components are not shown for clarity



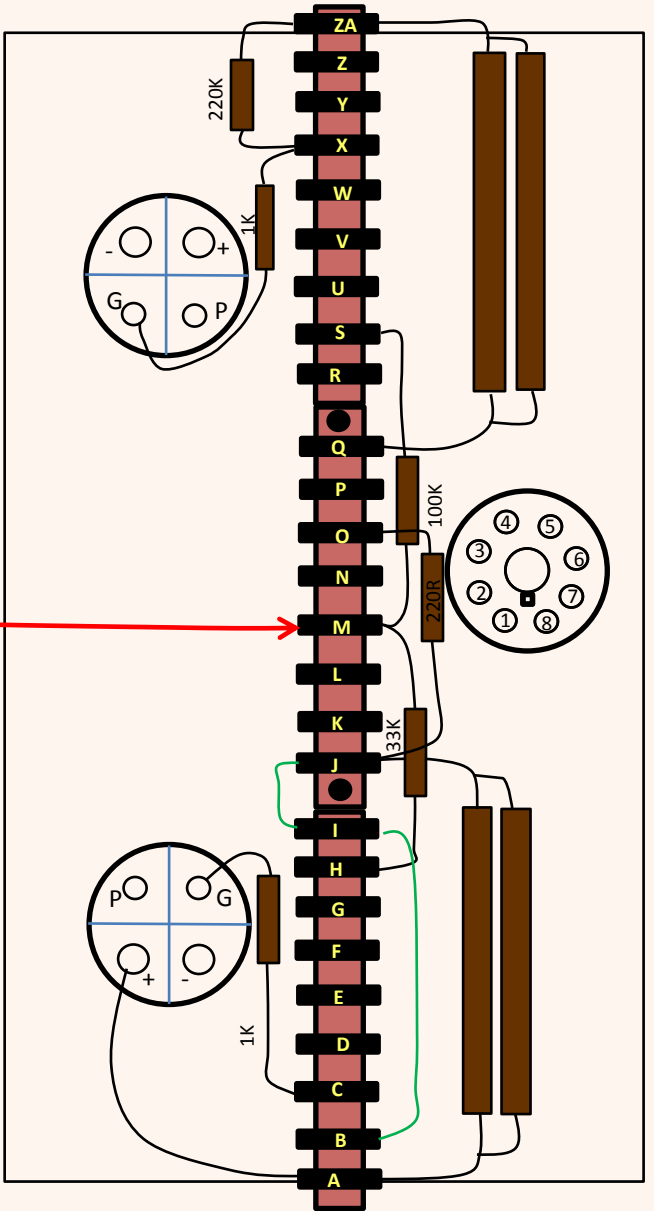
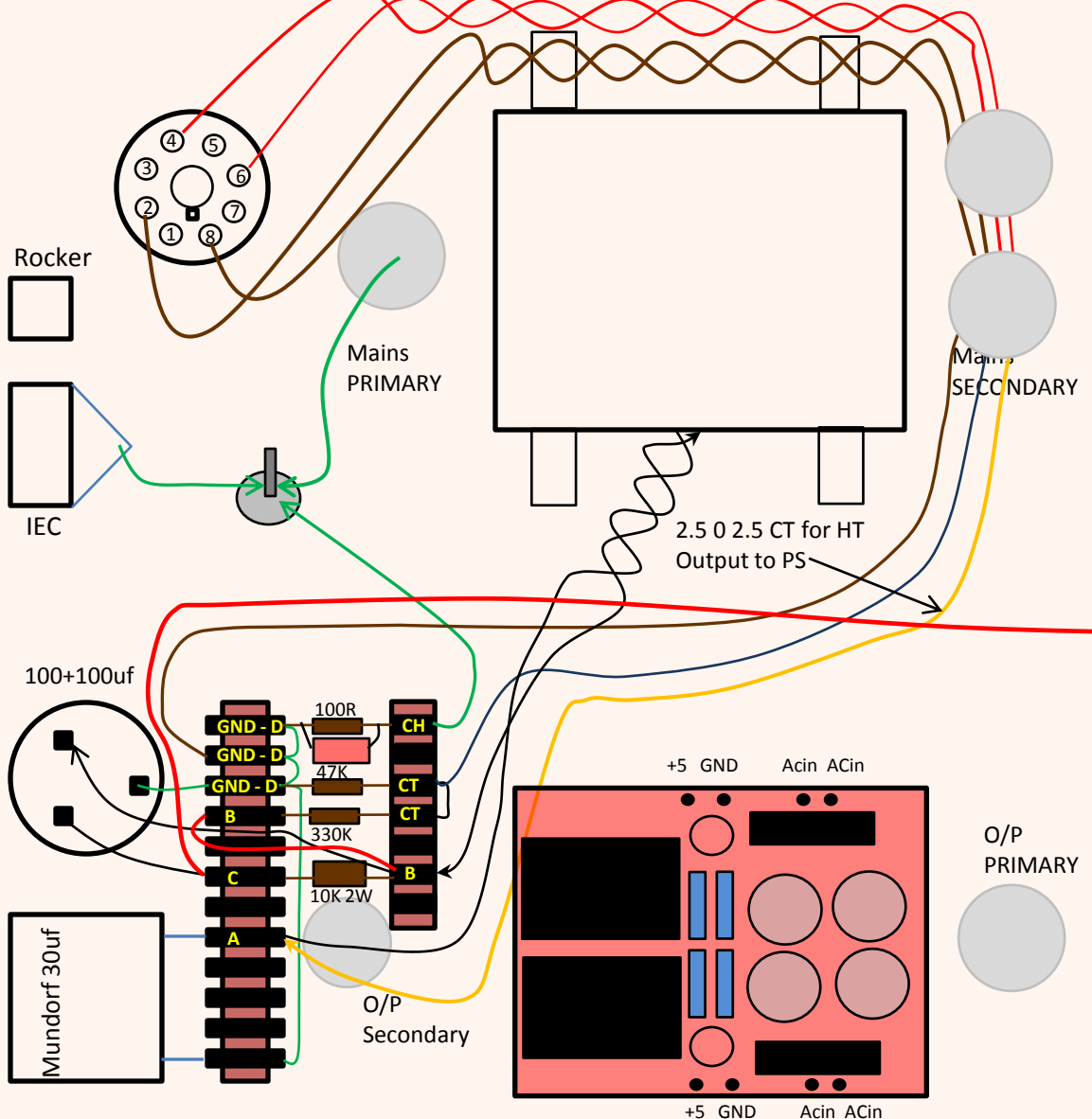
Legend MonoBlock – Front Insert 1K8 10W resistors

Note: All components are not shown for clarity



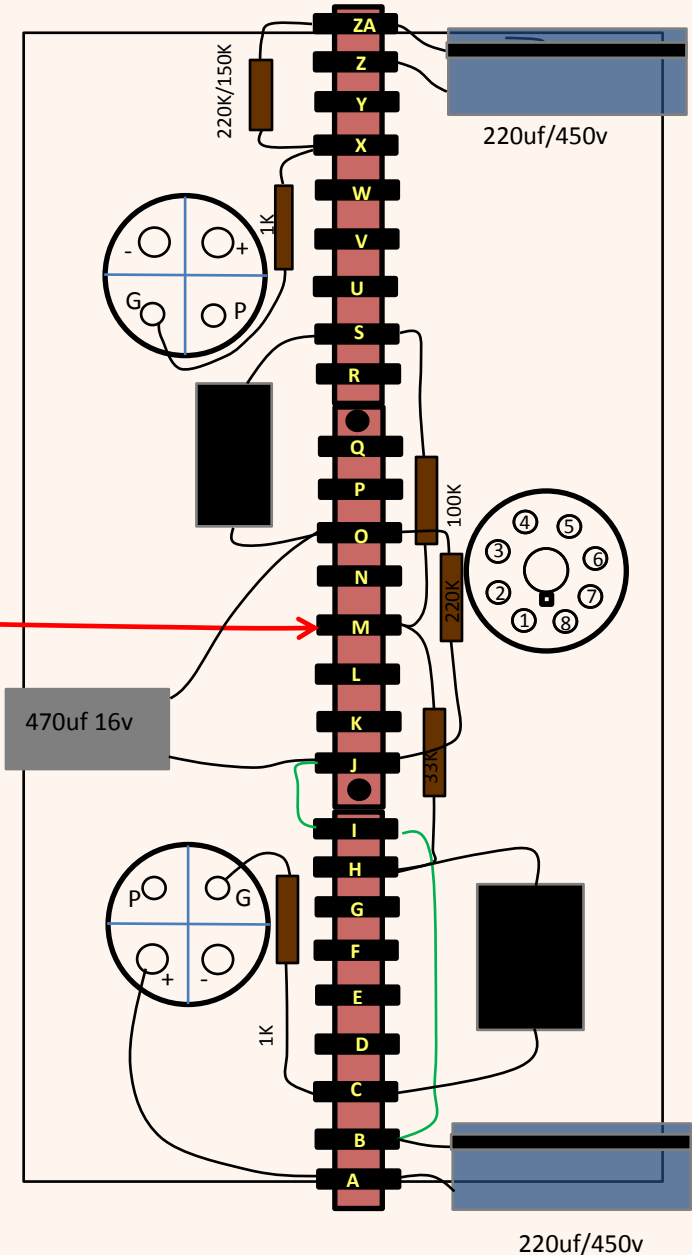
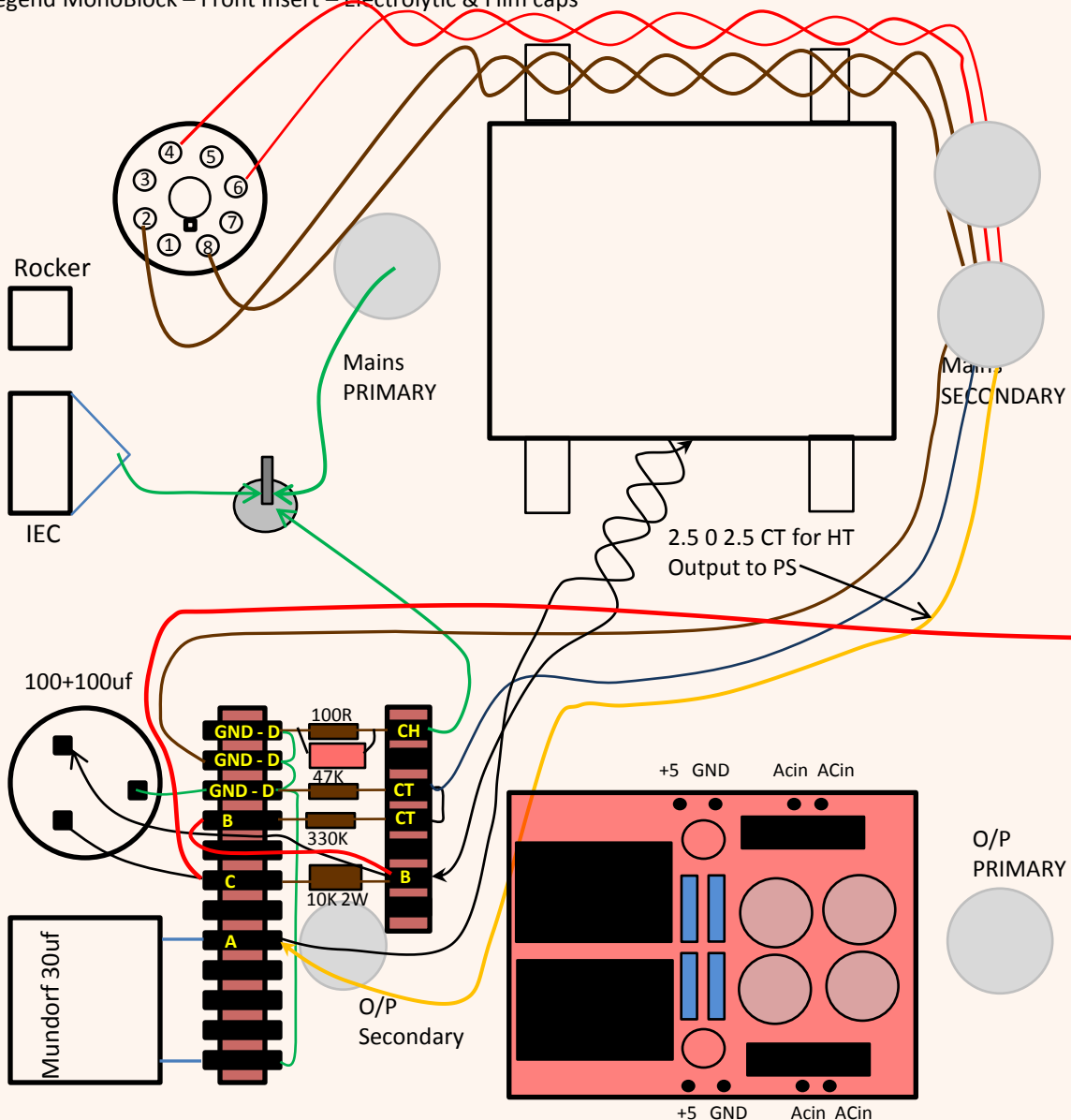
Legend MonoBlock – Front Insert Resistors

Note: All components are not shown for clarity



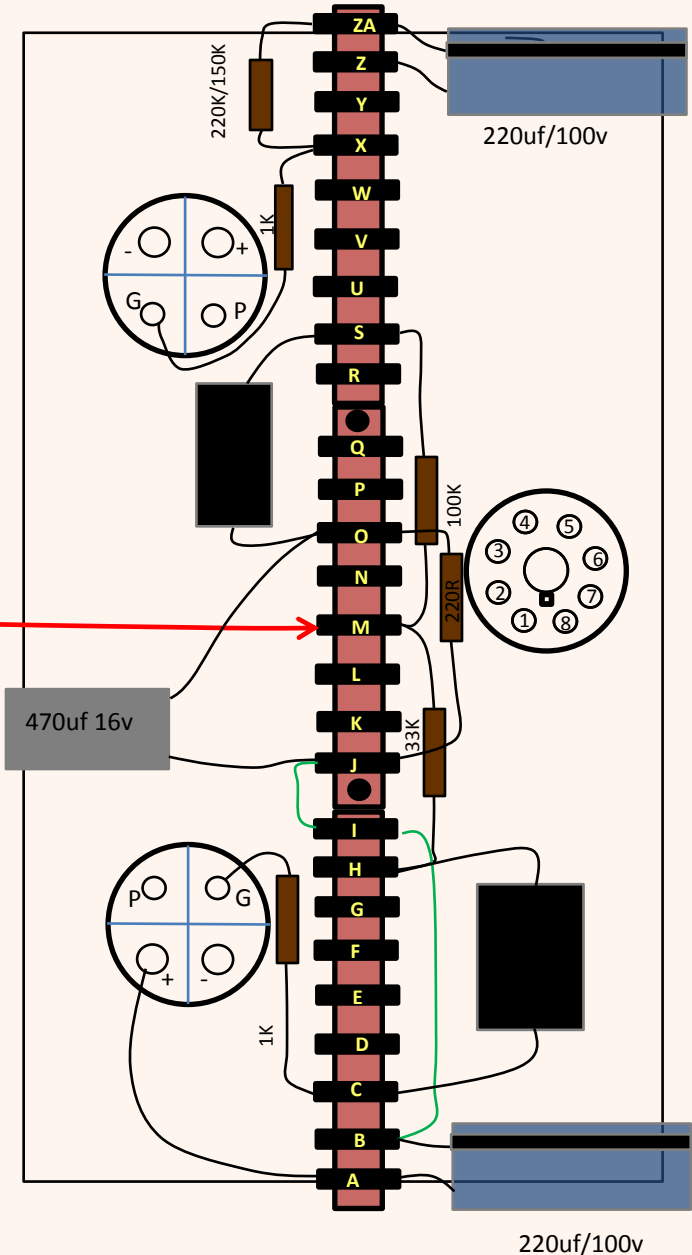
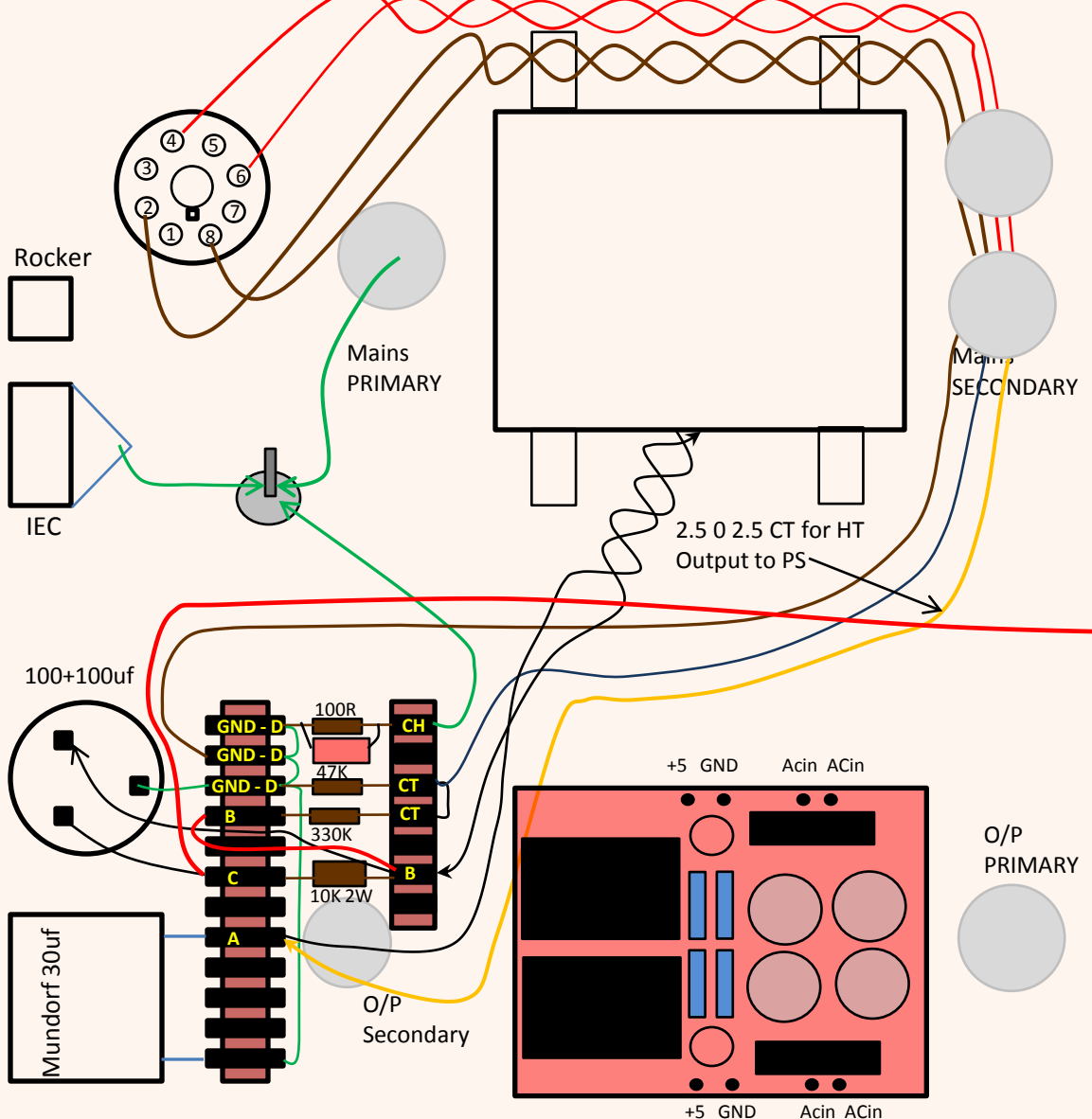
Legend MonoBlock – Front Insert – Electrolytic & Film caps

Note: All components are not shown for clarity



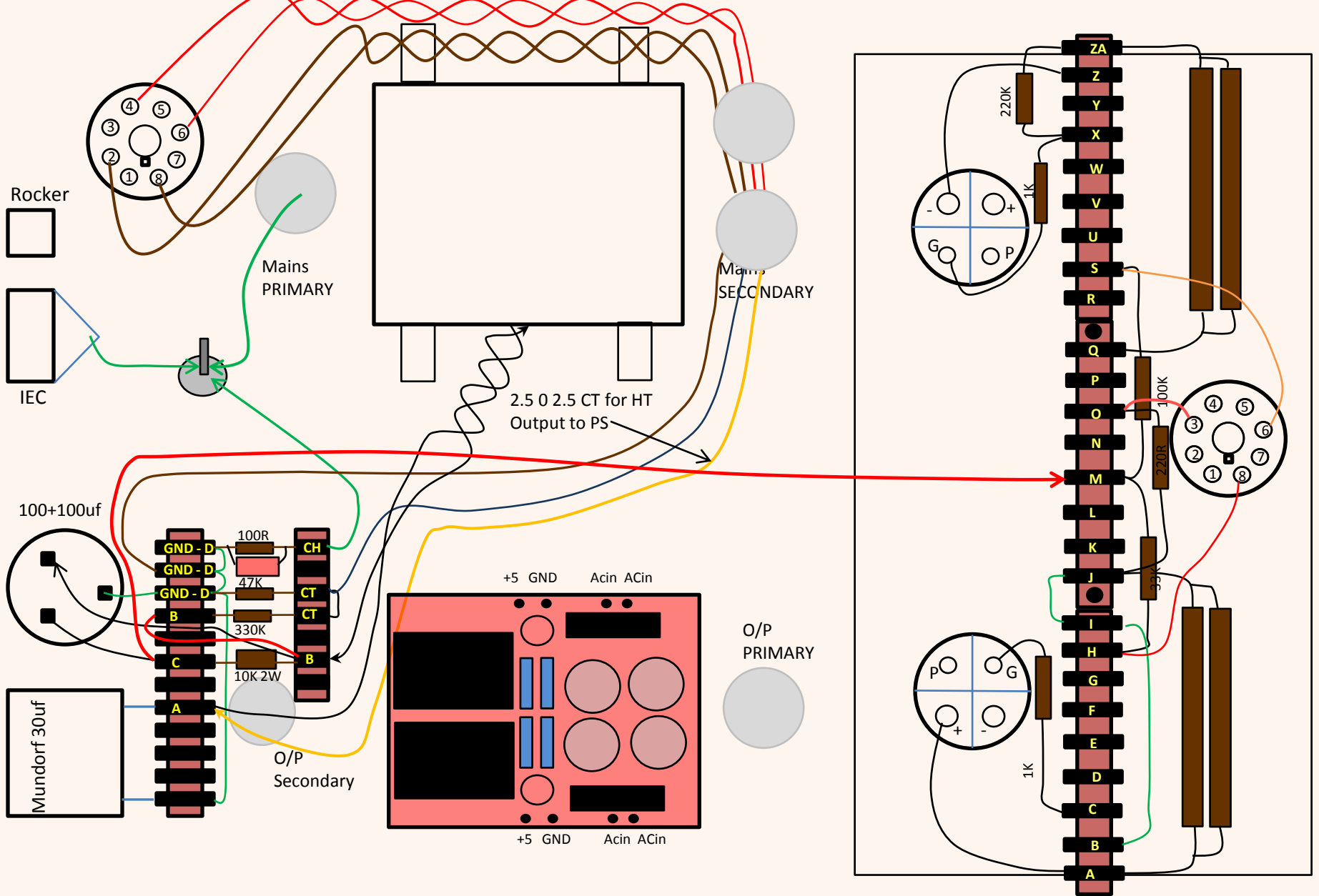
Legend MonoBlock – Additional Wiring Front Insert

Note: All components are not shown for clarity

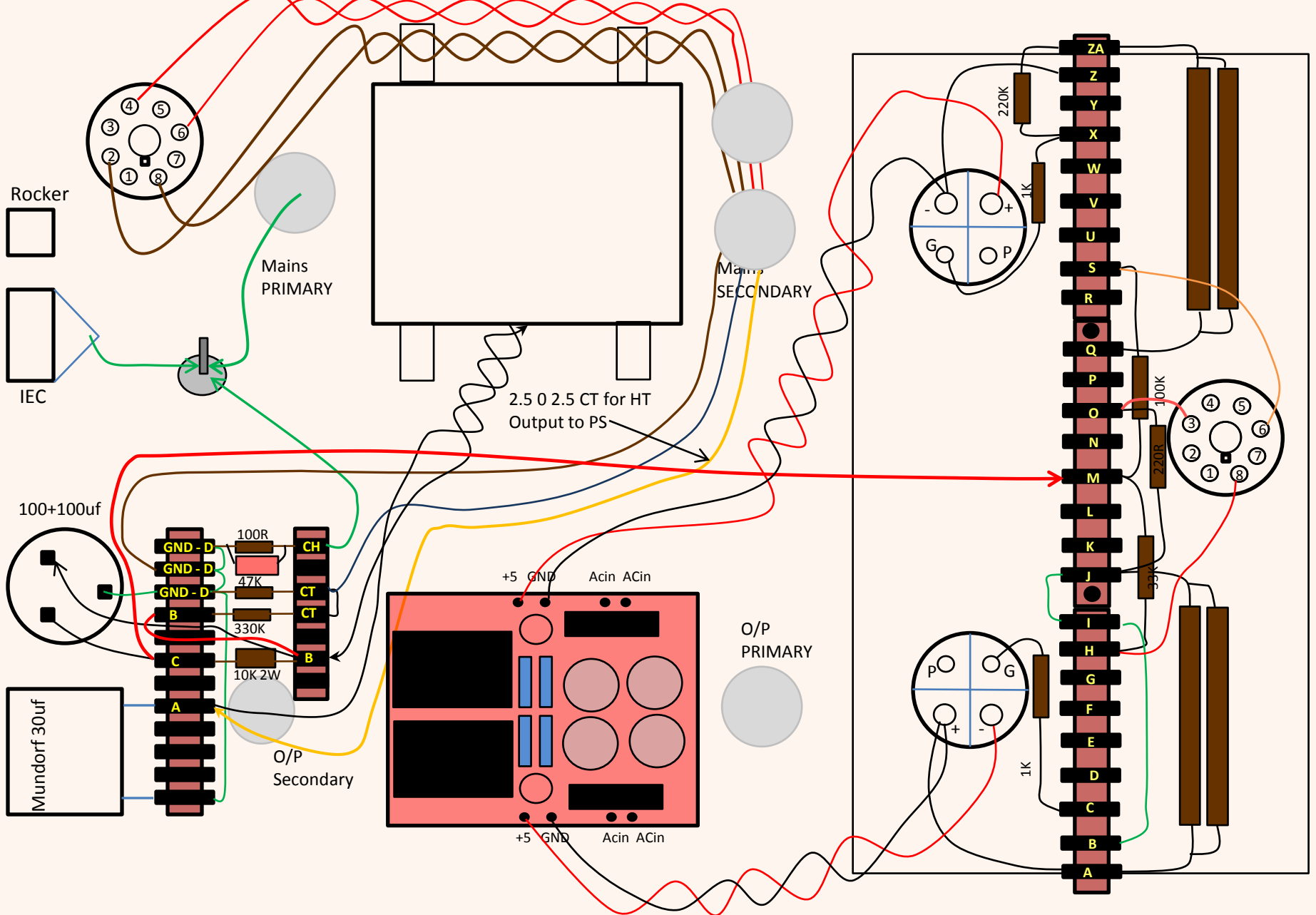




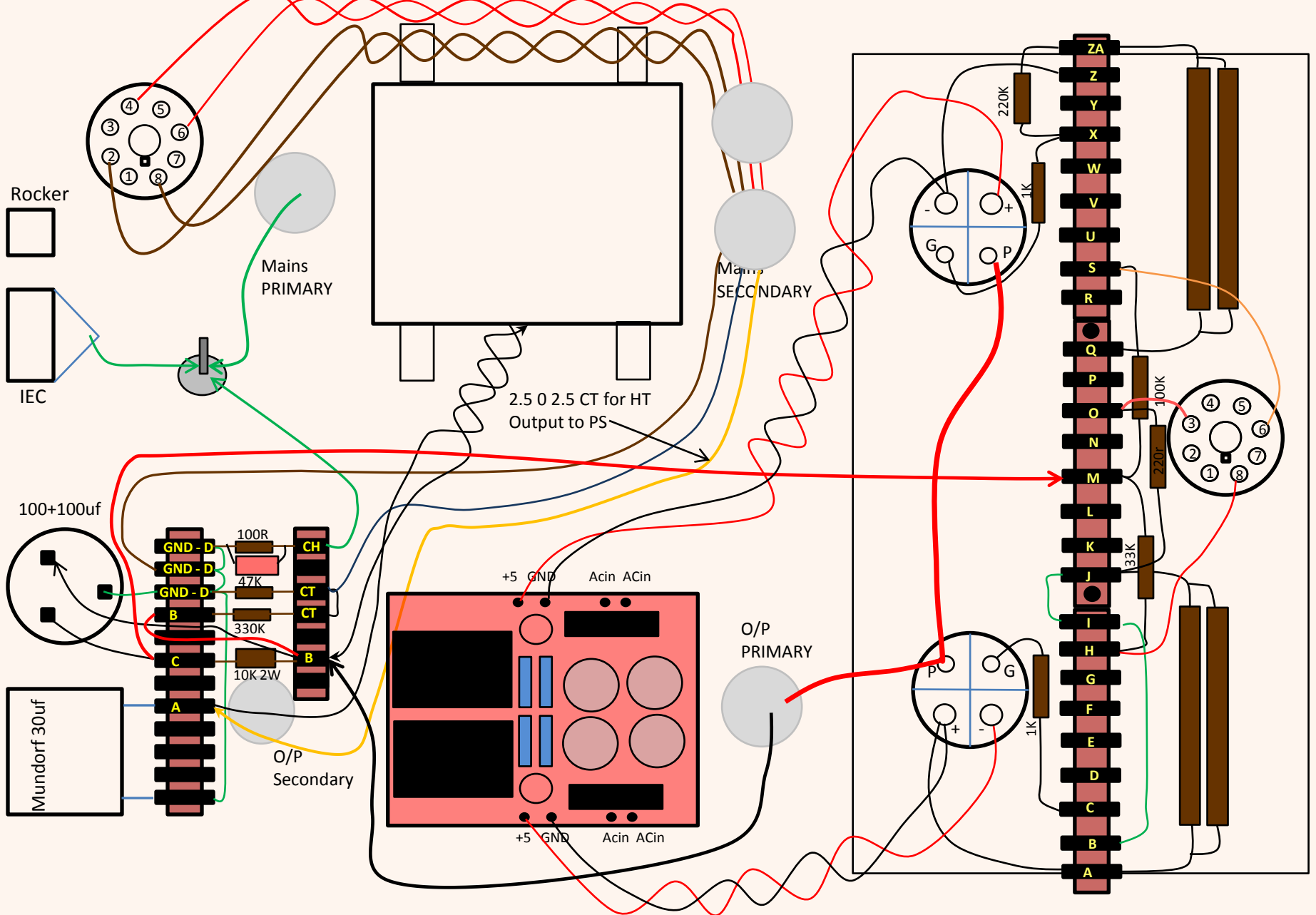
Legend MonoBlock – Front Insert Resistors



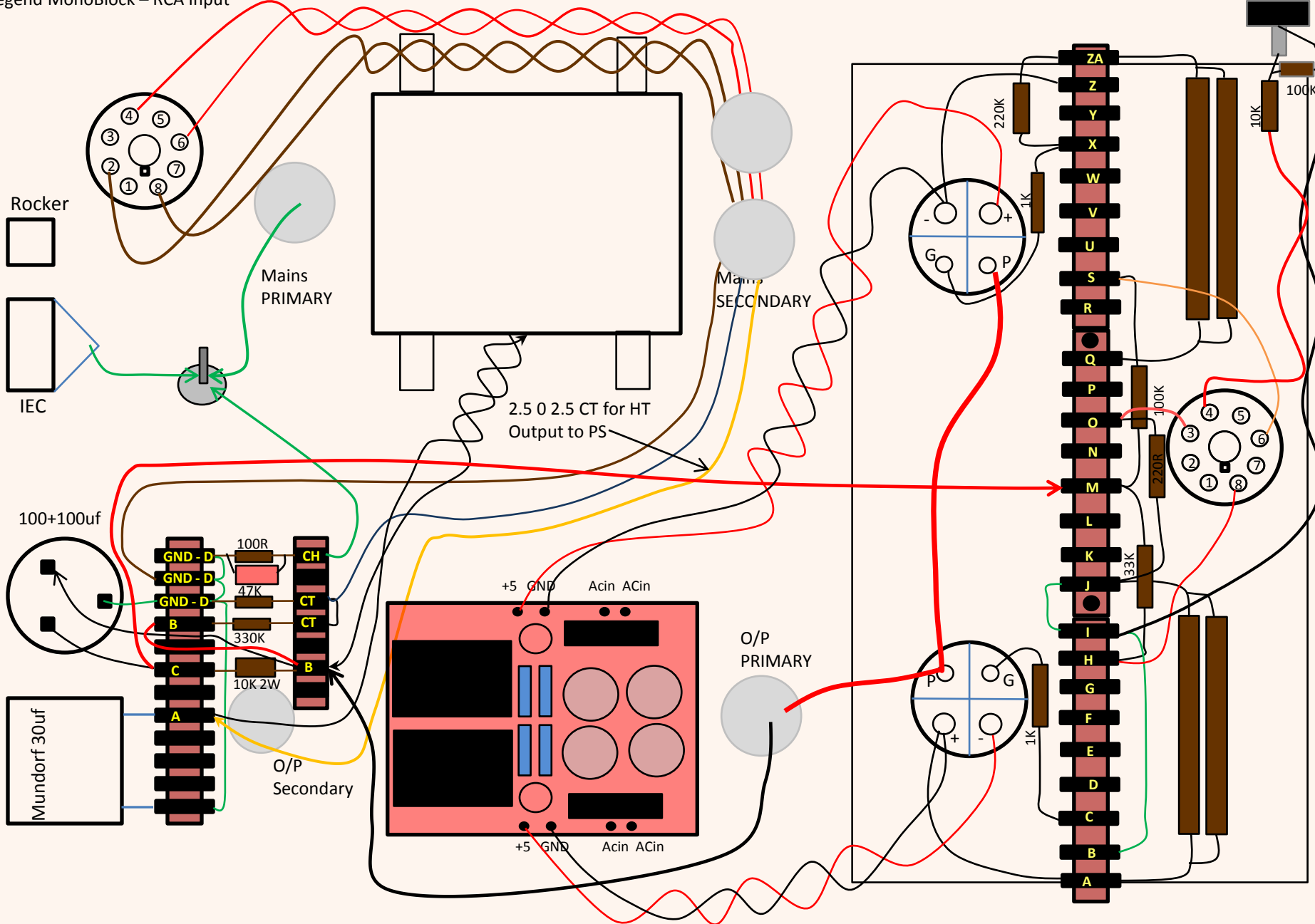
Legend MonoBlock – 300B Filaments



Legend MonoBlock – 300B Connections



Legend MonoBlock – RCA Input

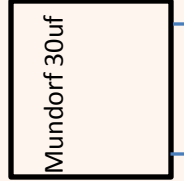
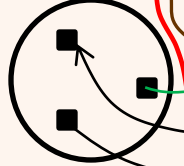


Rocker



IEC

100+100uf



Mundorf 30uf

Mains PRIMARY

Mains SECONDARY

2.5 0 2.5 CT for HT  
Output to PS

O/P PRIMARY

+5 GND ACin ACin

+5 GND ACin ACin

O/P Secondary

- ZA
- Z
- Y
- X
- W
- V
- U
- S
- R
- Q
- P
- O
- N
- M
- L
- K
- J
- I
- H
- G
- F
- E
- D
- C
- B
- A

100k

10k

100K

100K

220R

100K

100K

100K

33K

100K

100K

100K

100K

100K

100K

100K

100K

100K

100K

100K

220K

1K

1K

1K

1K

1K

1K

1K

1K

1K

1K

1K

1K

1K

1K

1K

1K

1K

1K

1K

1K

1K

1K

1K

1K

1K

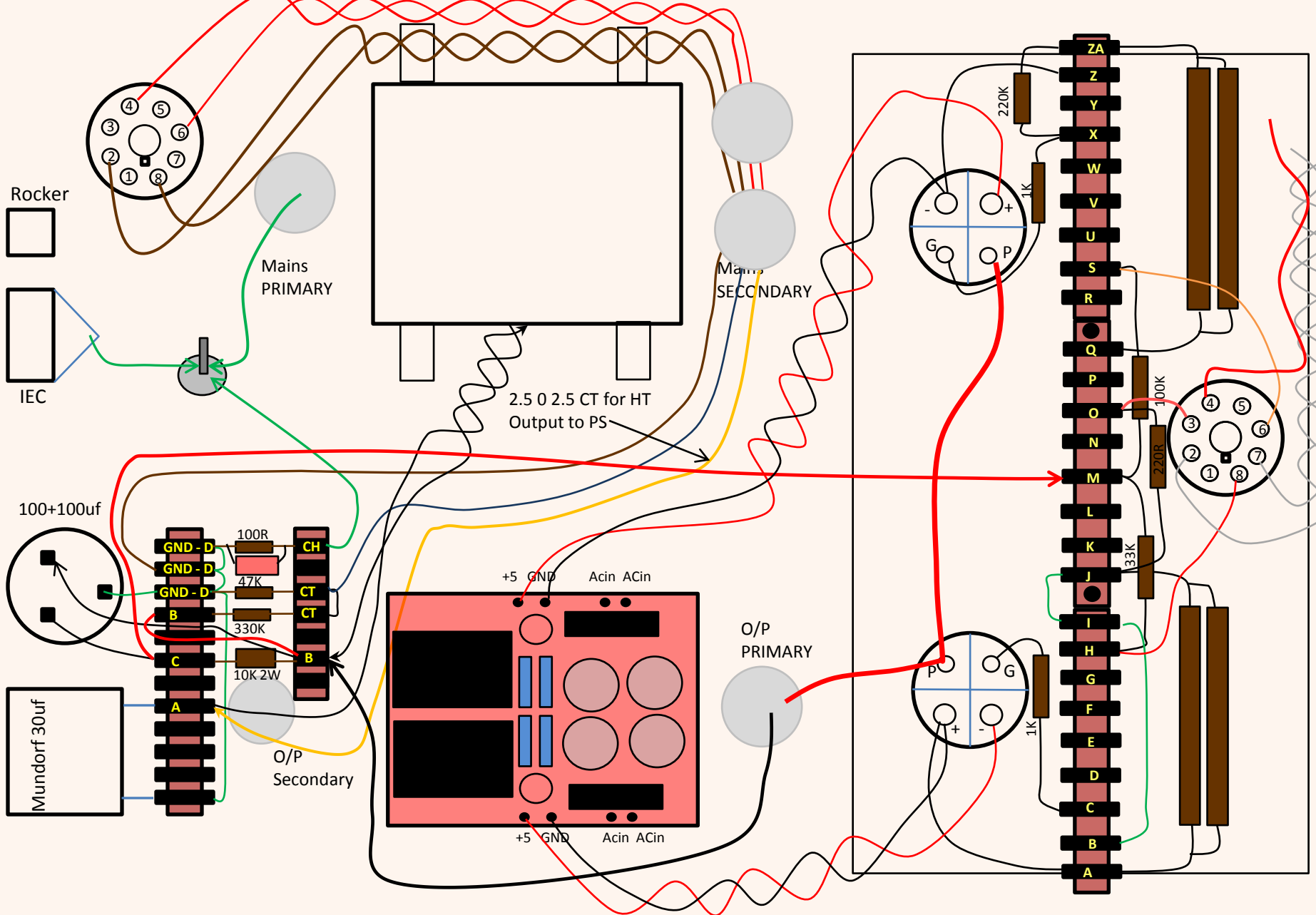
1K

1K

1K

1K

Legend MonoBlock – 6.3V AC filament for 6SH7 pins 2 & 7



Rocker



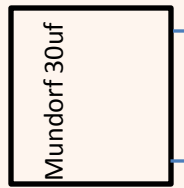
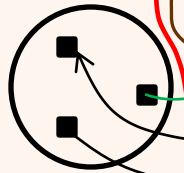
IEC

Mains PRIMARY

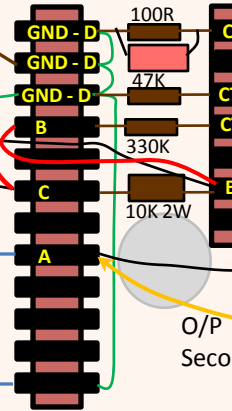
Mains SECONDARY

2.5 0 2.5 CT for HT Output to PS

100+100uf

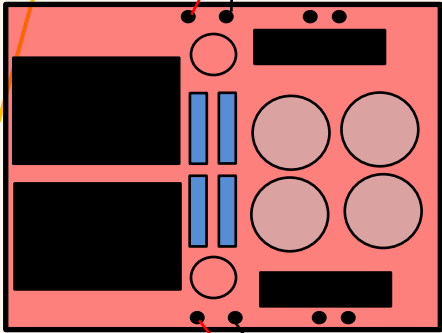


Mundorf 30uf



O/P Secondary

+5 GND Acin ACin



+5 GND Acin ACin

O/P PRIMARY

