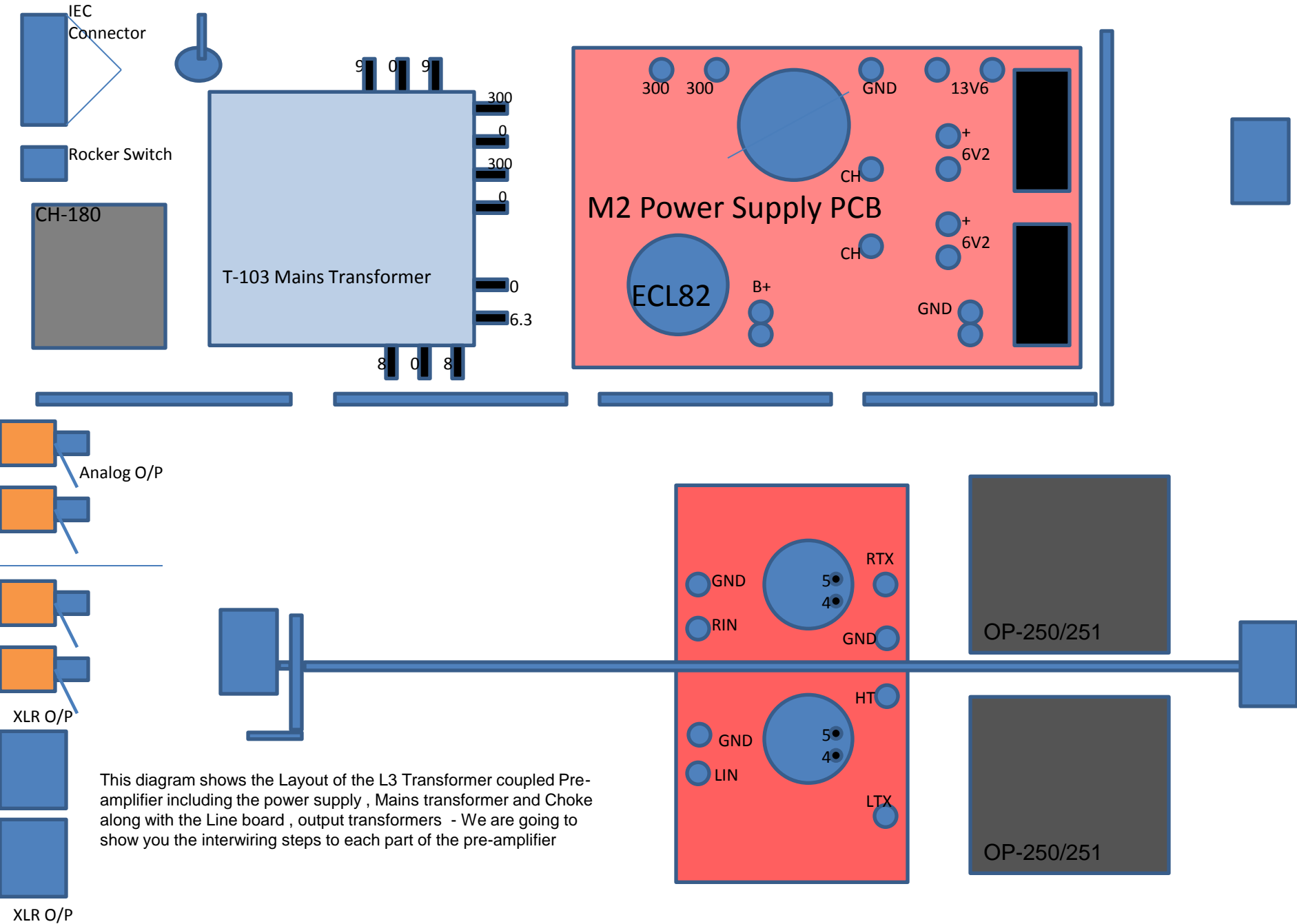
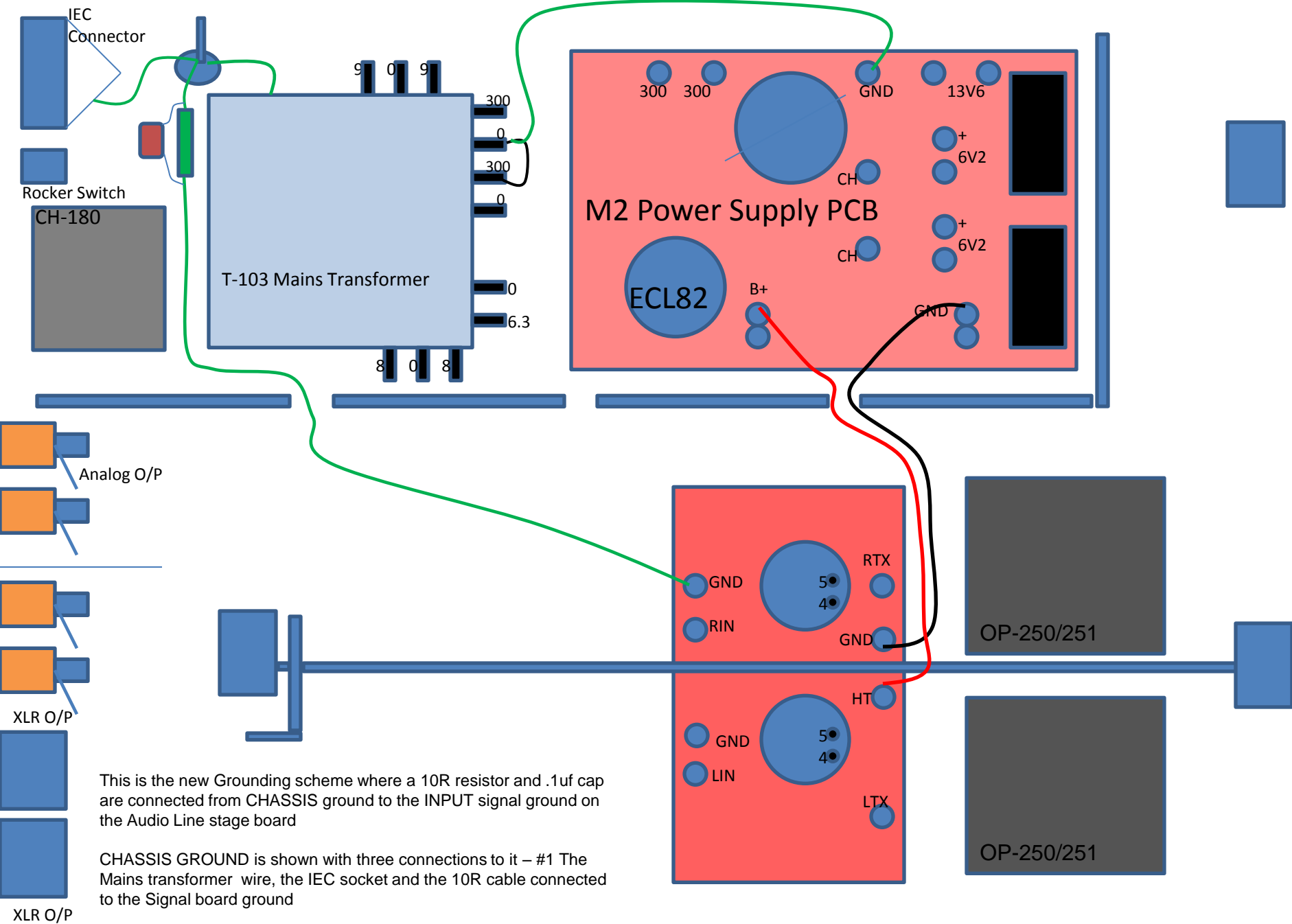


L3 Transformer Coupled Pre-amplifier



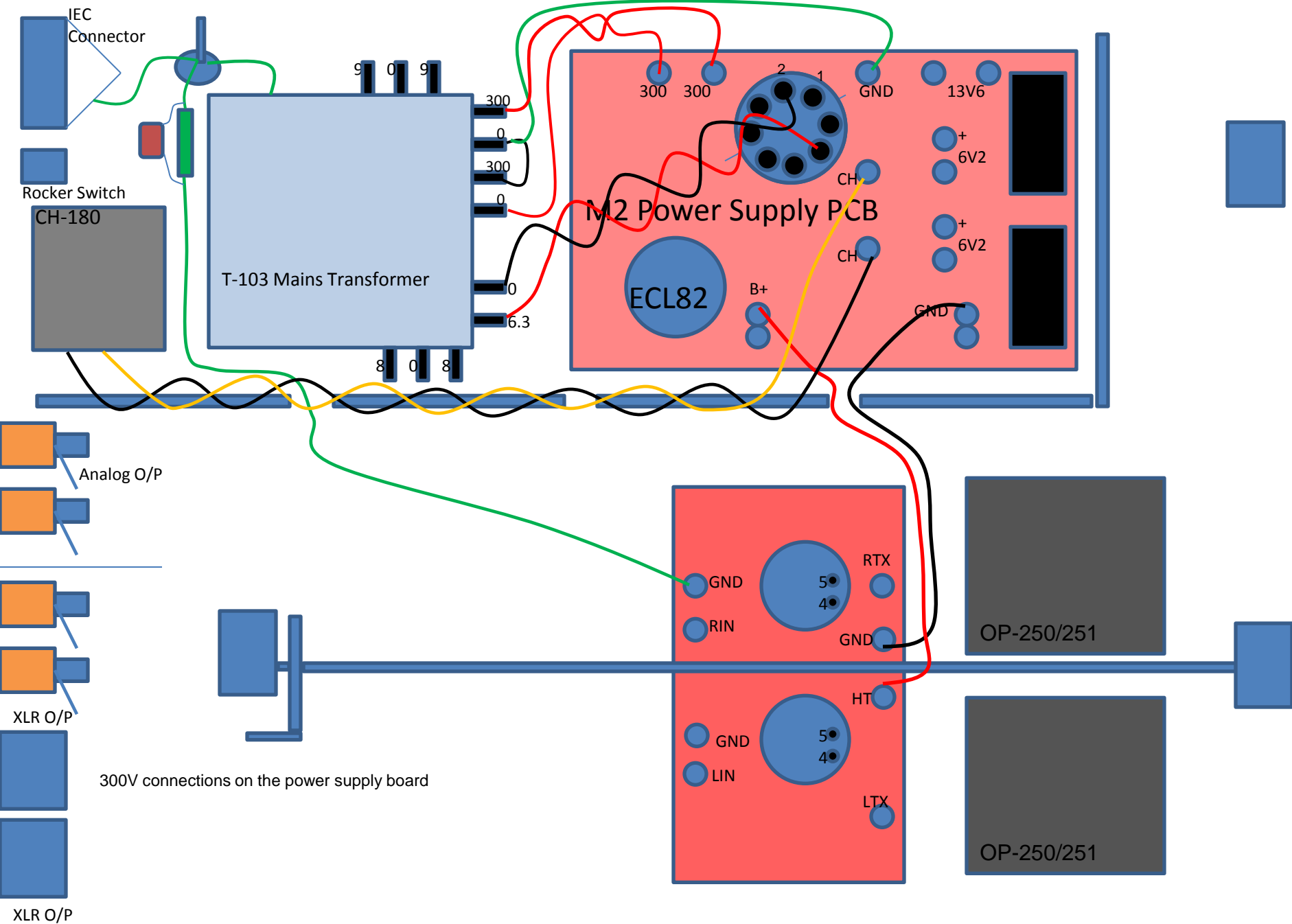
L3 Pre-amplifier – New Grounding Scheme



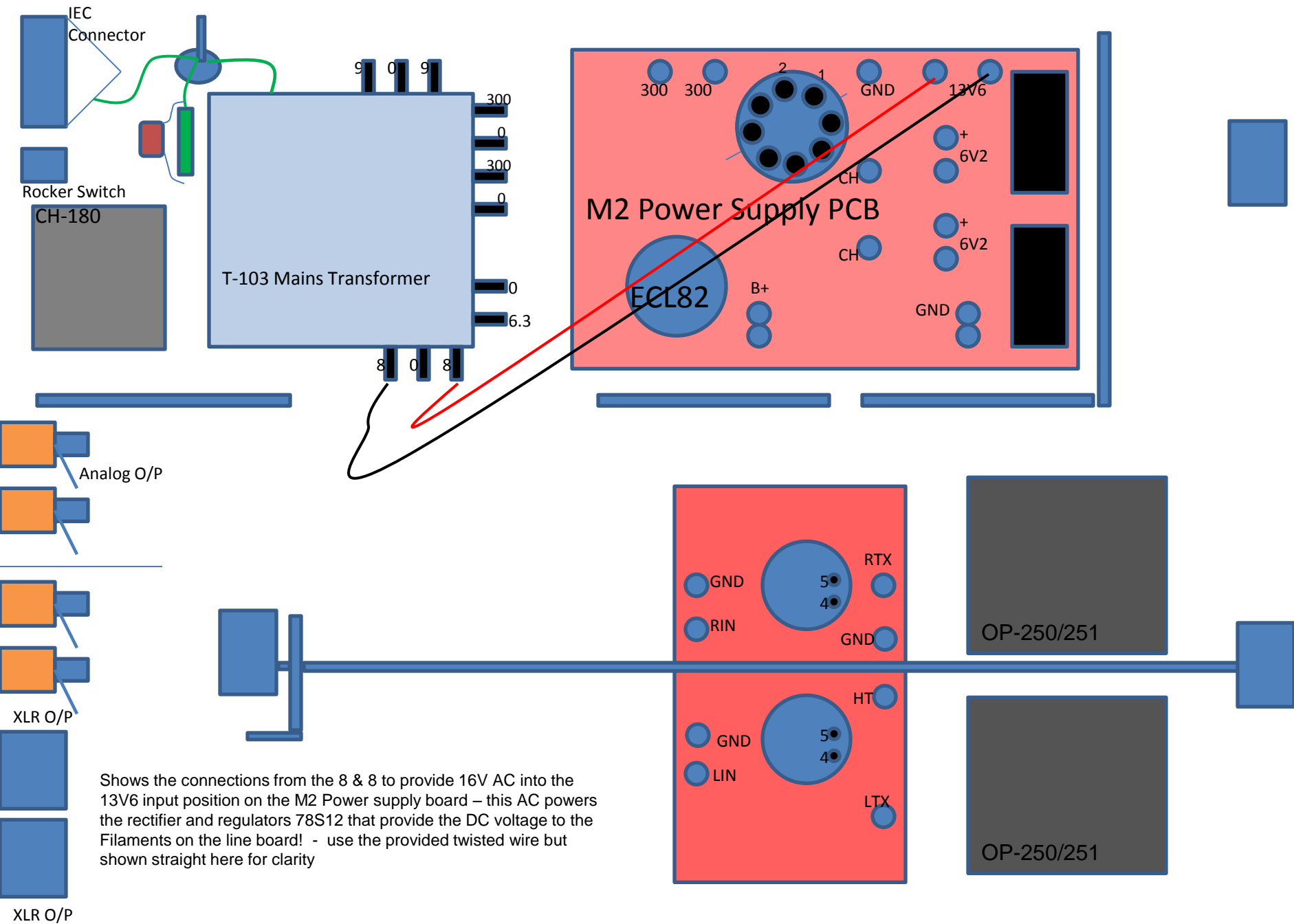
This is the new Grounding scheme where a 10R resistor and .1uf cap are connected from CHASSIS ground to the INPUT signal ground on the Audio Line stage board

CHASSIS GROUND is shown with three connections to it – #1 The Mains transformer wire, the IEC socket and the 10R cable connected to the Signal board ground

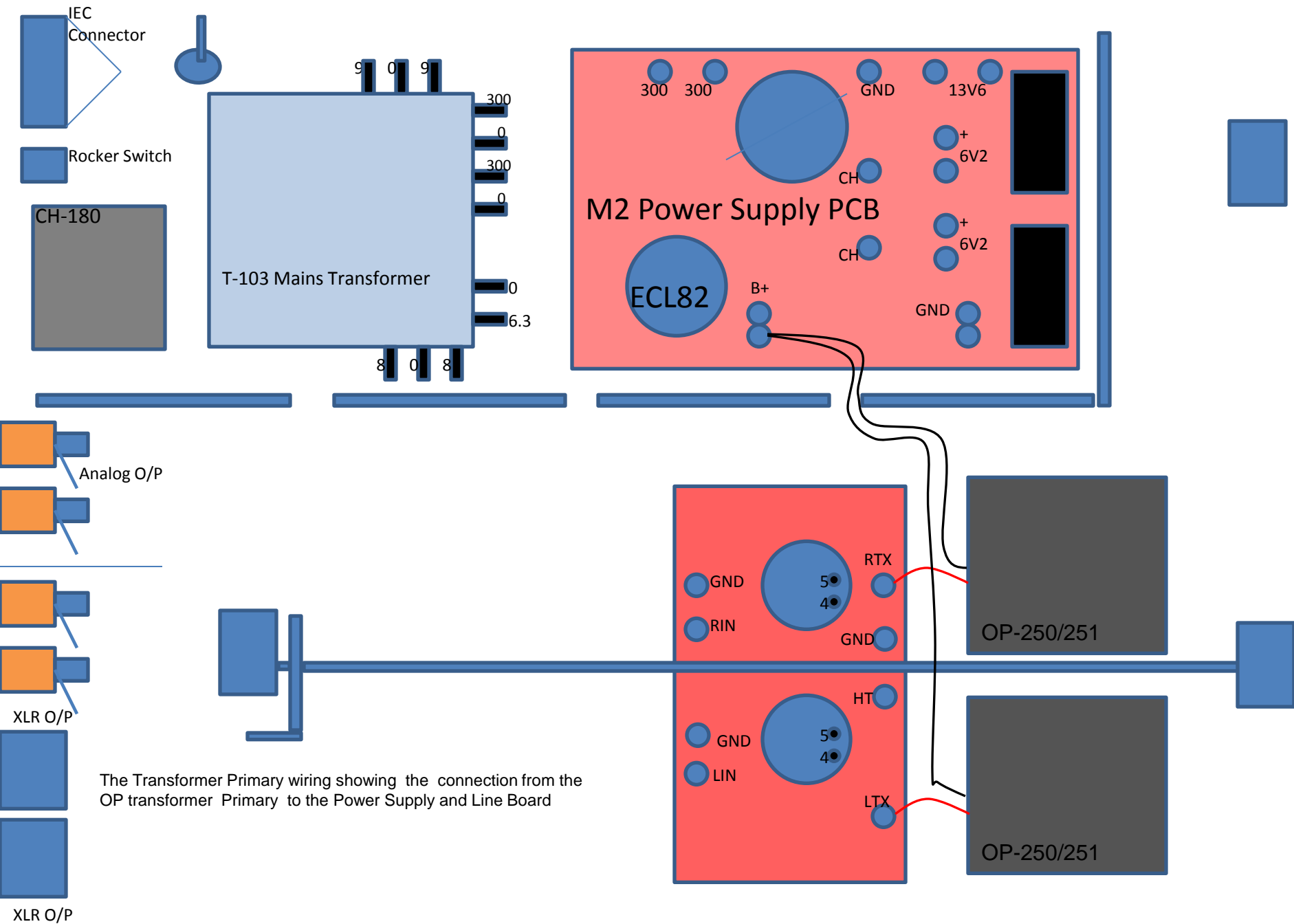
L3 Pre-amplifier – M2 Power Supply Connections/CHOKE



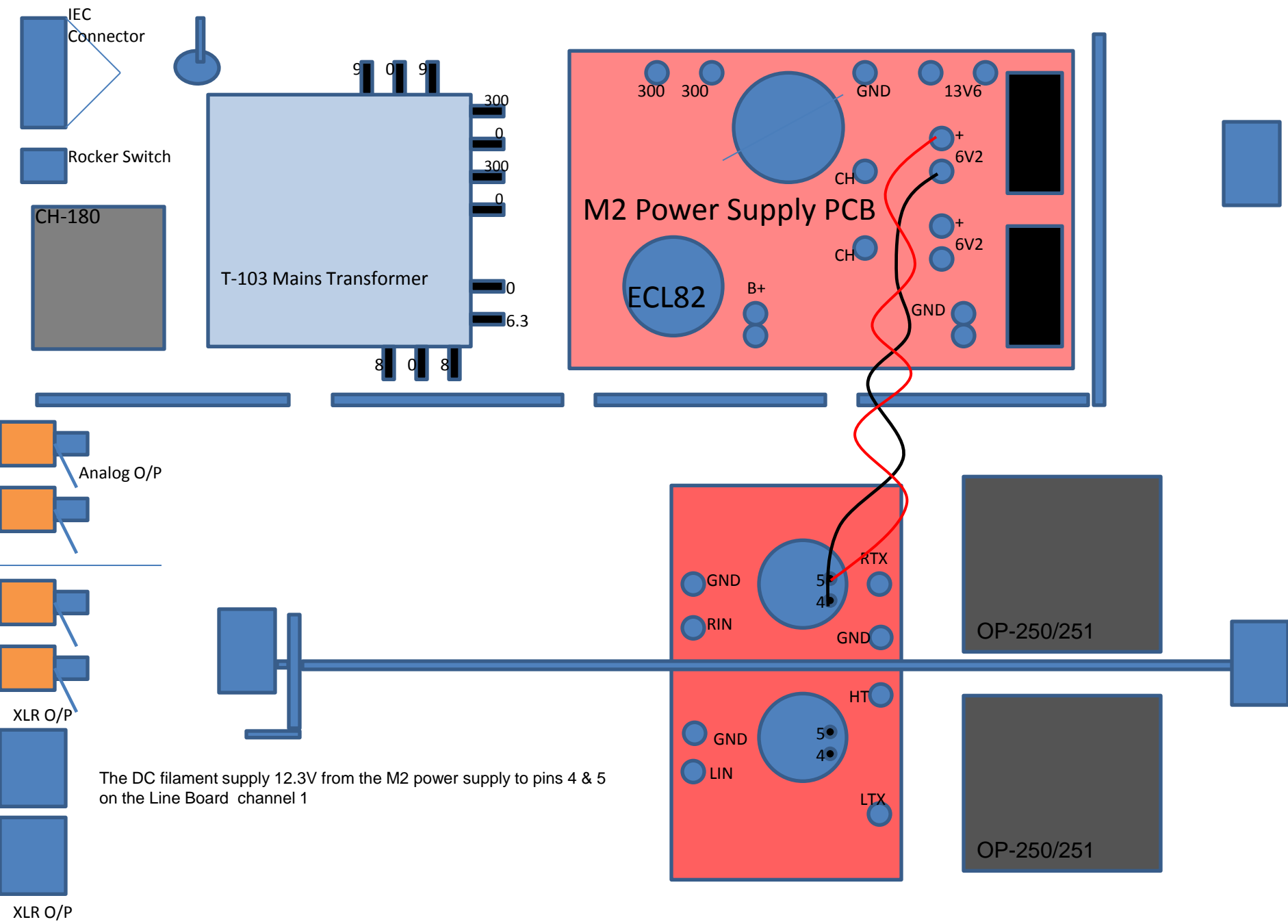
L3 Pre-amplifier – Filament AC supply



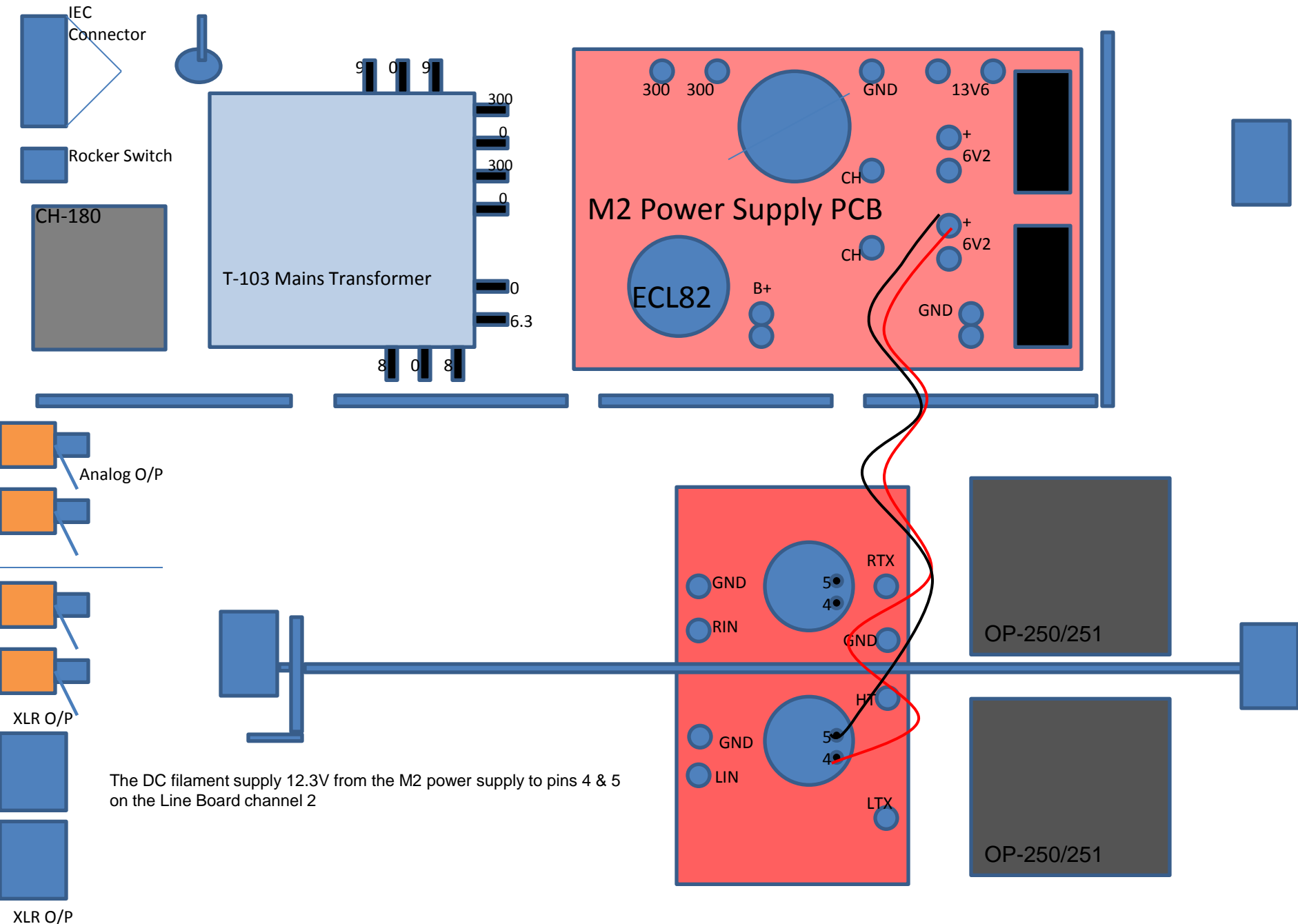
L3 Pre-amplifier -Transformer Primary connections



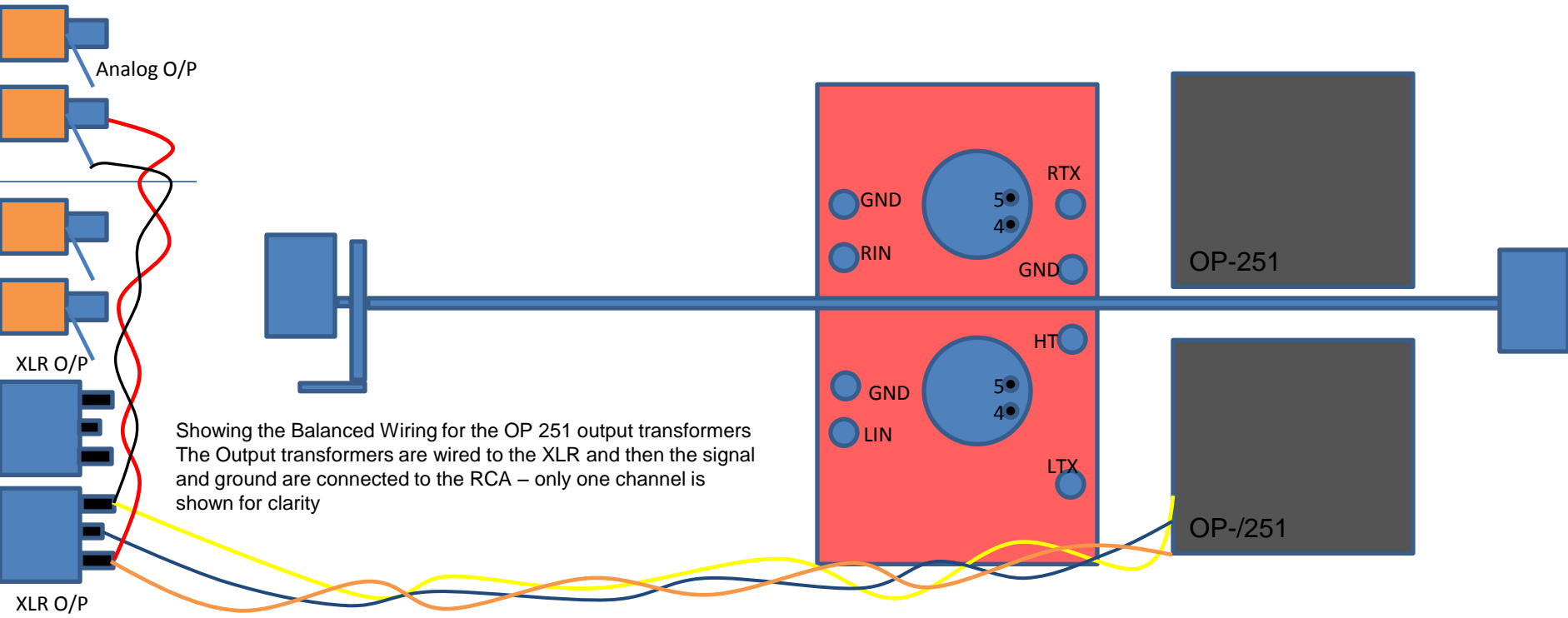
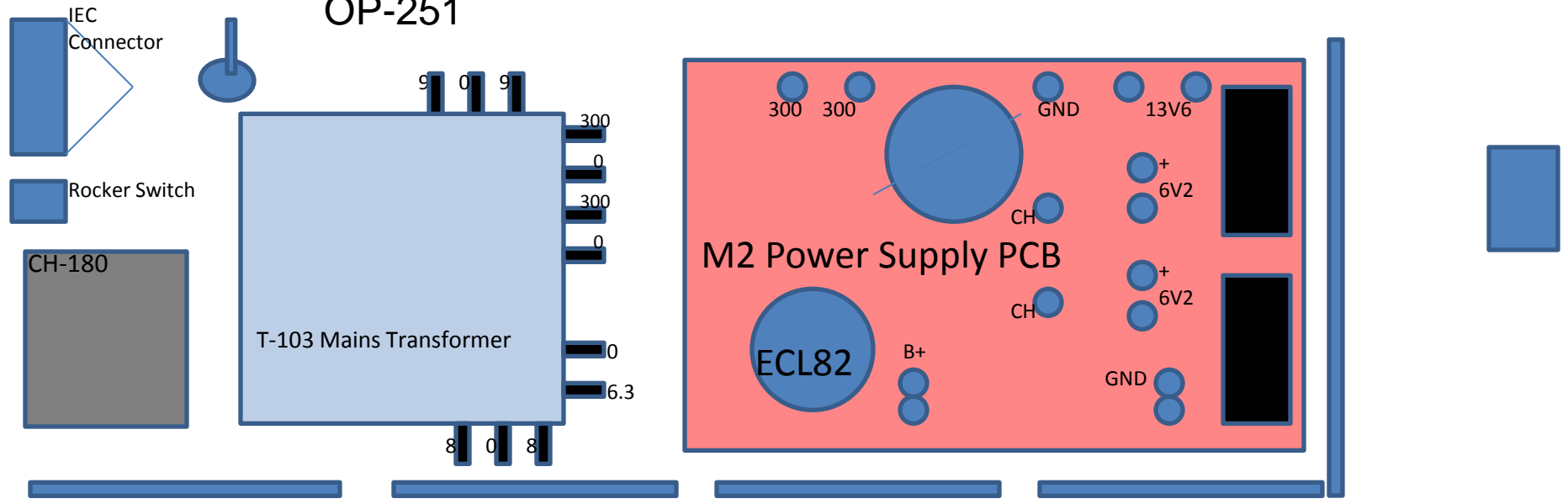
L3 Pre-amplifier 12V DC filament connections



L3 Pre-amplifier 12V DC filament connections



L3 Pre-amplifier Balanced Output transformer wiring OP-251



L3 Pre-amplifier Output transformer wiring RCA/ OP-250

